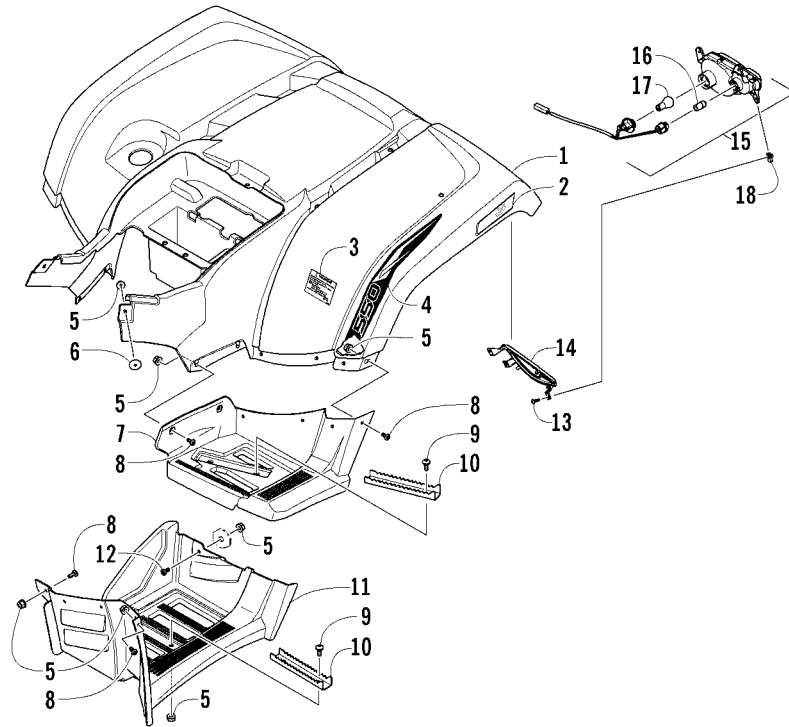


FRONT RACK, BODY PANEL, AND HEADLIGHT ASSEMBLIES

0746-687

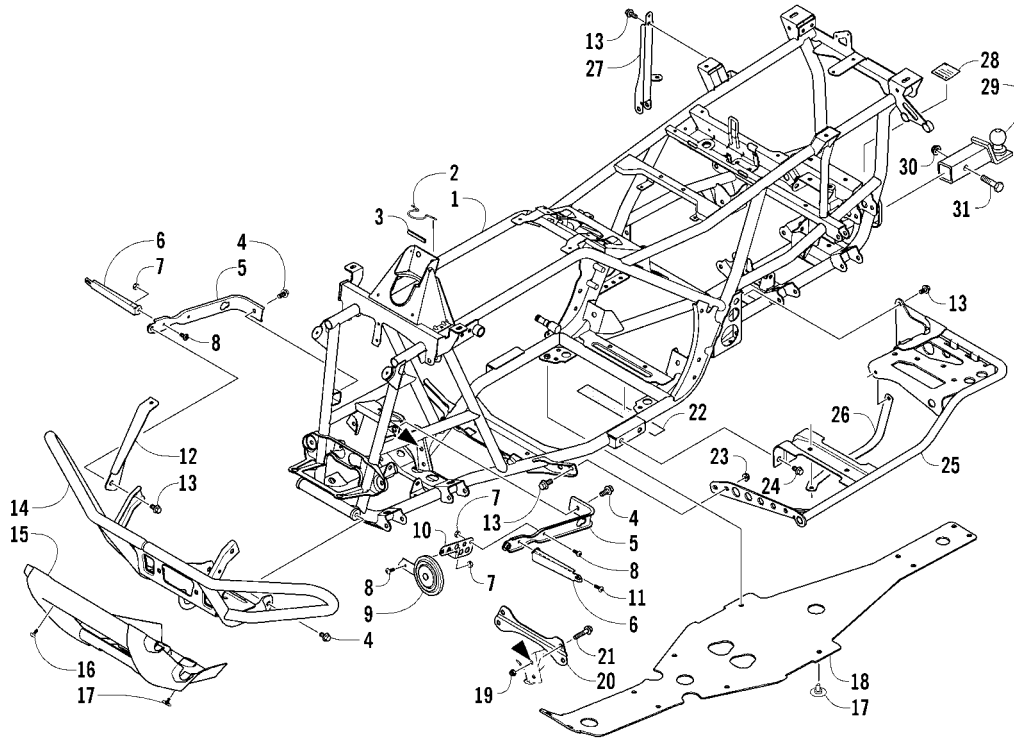
Ref	Part No.	New Qty	Description	Ref	Part No.	New Qty	Description
1	2506-106	1	Rack, Front - Assembly (inc. 2-3)	24	0423-447	4	Grommet
2	0411-576	1	● Decal, Warning - Load	25	2406-324	1	Panel, Side - Lower - Right
3	0441-592	4	● Bushing		2406-421	1	Panel, Side - Lower - Left
4	8410-830	4	Screw, Cap	26	0423-678	8	Grommet
5	0423-669	4	Spacer	27	1406-358	1	Cover, Access
6	0423-465	4	Grommet	28	0423-535	2	Rivet, Reinstallable
7	8432-802	4	Nut, Lock	29	0623-362	4	Rivet, Reinstallable
8	0423-654	2	Screw, Shoulder	30	1406-484	1	Cover, Steering Post
9	8050-222	2	Washer	31	0470-513	1	Cover, Storage Box
10	8427-602	2	Nut, Lock	32	1406-573	1	Box, Storage
11	0509-036	1	Headlight Assembly - Right (inc. 12-18)	33	2506-234	1	Lid, Storage Box w/Latch (inc. 34-35)
	0509-037	1	Headlight Assembly - Left (inc. 12-18)	34	1406-599	1	● Latch, Storage Box
12	0409-102	2	● Socket, Position Bulb	35	0470-514	1	● Lid, Storage Box
13	0409-101	2	● Bulb, Position	36	0423-101	2	Screw, Shoulder
14	0409-099	2	● Bulb, Turn Signal	37	2406-523	1	Panel, Fender - Black
15	0409-100	2	● Socket, Turn Signal Bulb	38	0411-818	1	Decal, Reflector - Right - Amber
16	0409-096	2	● Bulb, Headlight		0411-819	1	Decal, Reflector - Left - Amber
17	0409-097	2	● Retainer, Spring	39	1411-725	1	Decal, "Arctic Cat"
18	0409-098	2	● Boot, Rubber	40	3411-084	X 1	Decal, Side - Front Right
19	0423-514	2	Stud, Adjuster - Headlight		3411-085	X 1	Decal, Side - Front Left
20	0423-522	2	Spring, Adjuster	41	3411-264	X 1	Decal, "EFI"
21	0423-513	2	Knob, Adjuster	42	3411-034	X 1	Decal, Side - Upper Right
22	0623-785	4	Screw, Self-Tapping		3411-035	X 1	Decal, Side - Upper Left
23	8050-217	8	Washer				



REAR BODY PANEL, FOOTWELL, AND TAILLIGHT ASSEMBLIES

0747-130

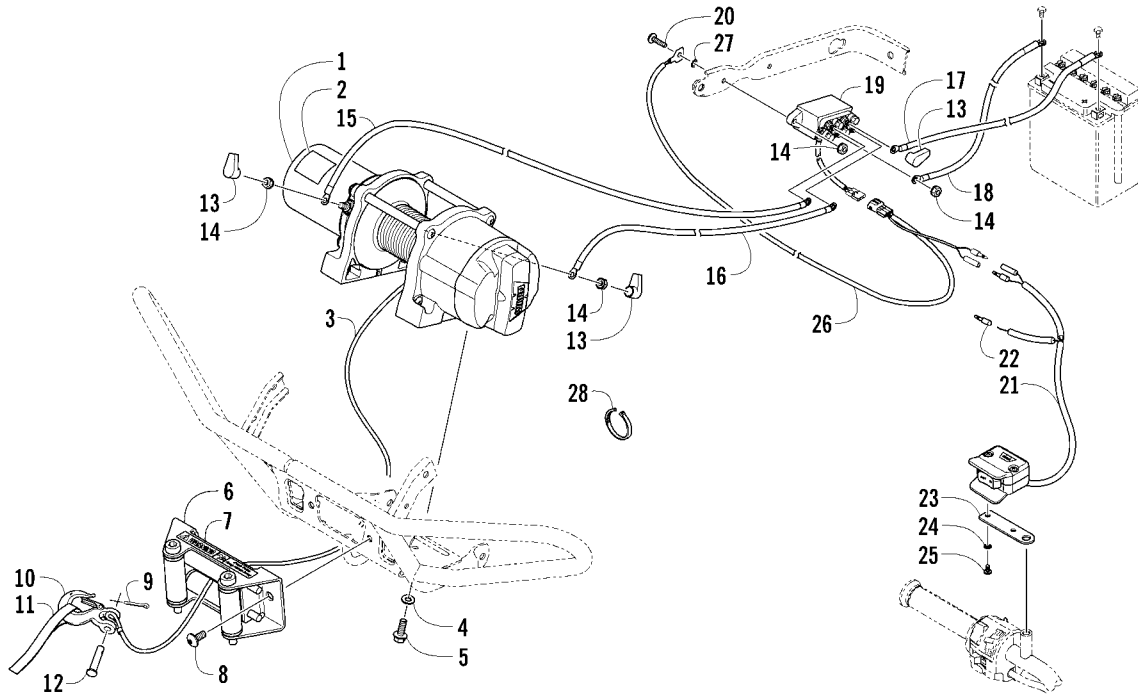
Ref	Part No.	New	Qty	Description	Ref	Part No.	New	Qty	Description
1	2506-890		1	Fender, Rear - Assembly - Black	10	1506-125		4	Footpeg
2	1411-592		1	Decal, Reflector - Right - Red	11	1506-813		1	Footwell - Right
	1411-593		1	Decal, Reflector - Left - Red		2406-471		1	Footwell - Left
3	2411-830		1	Decal, Warning - Tire Pressure	12	8477-620		2	Screw, Machine
4	3411-236	X	1	Decal, Side - Lower Right	13	8476-516		6	Screw, Machine
	3411-237	X	1	Decal, Side - Lower Left	14	0409-112		1	Bezel, Taillight - Right
5	8427-602		34	Nut, Lock		0409-113		1	Bezel, Taillight - Left
6	0423-101		2	Screw, Shoulder	15	3313-392		1	Taillight Assembly - Right (inc. 16-17)
7	2406-042		1	Footwell, Rear - Right		3313-393		1	Taillight Assembly - Left (inc. 16-17)
	2406-043		1	Footwell, Rear - Left	16	3313-506		2	● Bulb, Turn Signal
8	0423-419		22	Screw, Machine	17	3303-849		2	● Bulb, Taillight
9	0423-355		8	Screw, Shoulder	18	3304-061		6	Clip, U-Nut



FRAME AND RELATED PARTS

0746-724

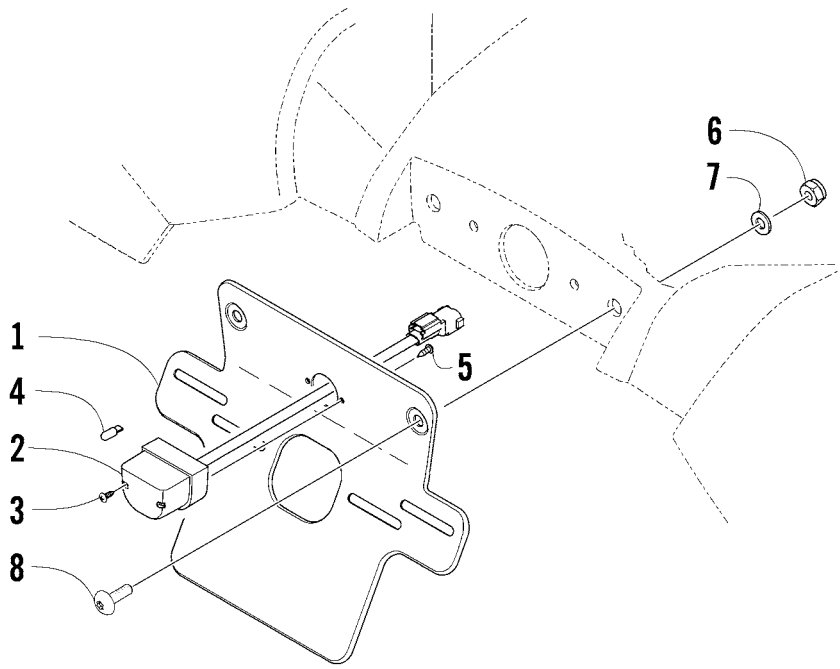
Ref	Part No.	New Qty	Description	Ref	Part No.	New Qty	Description
1	4506-552	1	Frame, Main	17	0423-101	12	Screw, Shoulder
2	2416-401	1	Clip, Routing	18	2406-091	1	Panel, Belly
3	0706-371	AR	Trim - 3 ft	19	0423-744	2	Nut, Lock
4	8409-020	4	Screw, Cap	20	2516-852	1	Brace, A-Arm
5	1506-596	2	Channel, Bumper Mounting	21	8409-025	2	Screw, Cap
6	2416-162	1	Bracket, Support - Right	22	0406-289	2	Pad, Foam
	2416-163	1	Bracket, Support - Left	23	8424-802	4	Nut
7	0623-038	3	Nut w/Washer	24	8409-016	4	Screw, Cap
8	8477-616	3	Screw, Machine	25	1506-848	1	Footrest - Right
9	0430-053	1	Horn, Electric - 12V		1506-849	1	Footrest - Left
10	2406-321	1	Bracket, Mounting - Horn	26	2406-216	1	Strap, Footrest - Right
11	8477-620	1	Screw, Machine		2406-217	1	Strap, Footrest - Left
12	1506-562	1	Bracket, Mounting - Bumper - Right	27	2506-447	1	Bracket, Support
	1506-563	1	Bracket, Mounting - Bumper - Left	28	1411-077	1	Decal, Warning - Towing
13	8408-816	11	Screw, Cap	29	0541-857	1	Mount, Ball Hitch (inc. 30-31)
14	1506-855	1	Bumper	30	0423-690	1	● Nut, Lock
15	1406-360	1	Fascia, Bumper - Front	31	0423-693	1	● Screw, Cap
16	0423-419	2	Screw, Machine				



WINCH ASSEMBLY

0745-322

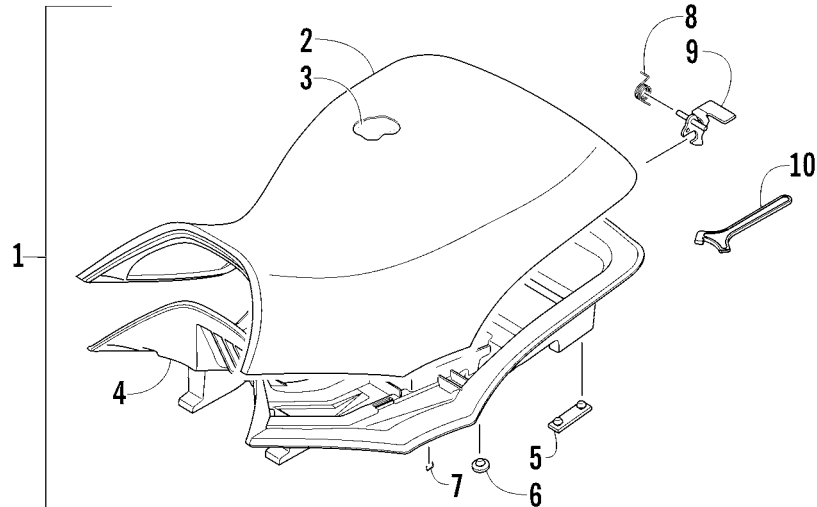
Ref	Part No.	New	Qty	Description	Ref	Part No.	New	Qty	Description
1	1441-657	1	1	Winch (inc. 2-3)	16	0445-069	1	1	Cable, Winch/Solenoid - Blue
2	1411-826	1	1	● Decal, Warning	17	0445-087	1	1	Cable, Solenoid/Battery - Red
3	0441-061	1	1	● Cable, Winch	18	1441-112	1	1	Cable, Solenoid/Battery - Black
4	8051-246	4	4	Washer, Lock	19	0409-066	1	1	Solenoid
5	8408-820	4	4	Screw, Cap	20	8476-625	2	2	Screw, Machine
6	0441-403	1	1	Roller, Winch (inc. 7)	21	0505-552	1	1	Switch, Winch - Assembly (inc. 22-27)
7	0411-474	1	1	● Decal, Warning - Pinch Point	22	1441-428	1	1	● Connector, Harness
8	8468-820	2	2	Screw, Machine	23	0505-551	1	1	● Bracket, Winch Switch
9	0623-175	1	1	Pin, Cotter	24	8052-093	2	2	● Washer, Internal Tooth Lock
10	1441-833	1	1	Hook, Winch	25	8009-243	2	2	● Screw, Machine
11	1441-781	1	1	Strap	26	0486-276	1	1	● Harness, Adapter - Solenoid
12	1441-834	1	1	Pin	27	8053-212	1	1	● Washer, External Tooth Lock
13	0645-019	3	3	Boot, Terminal	28	0123-788	AR	AR	Tie, Cable - 8 in.
14	0623-038	8	8	Nut w/Washer		0123-903	AR	AR	Tie, Cable - 11.5 in.
15	0445-068	1	1	Cable, Winch/Solenoid - Yellow					



LICENSE PLATE HOLDER ASSEMBLY

0743-236

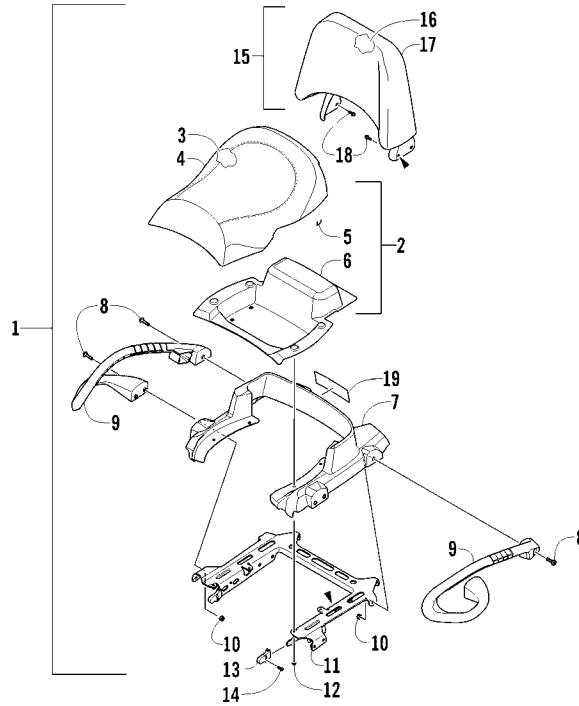
Ref	Part No.	New Qty	Description	Ref	Part No.	New Qty	Description
1	2506-914	1	Mount, License Plate	5	0123-950	2	Screw, Self-Tapping
2	3304-772	1	Light, License Plate Assembly (inc. 3-4)	6	8432-802	2	Nut, Lock
3	3305-399	2	● Screw, Self-Tapping	7	8050-247	2	Washer
4	3303-847	1	● Bulb	8	8468-820	2	Screw, Machine



SEAT ASSEMBLY

0744-435

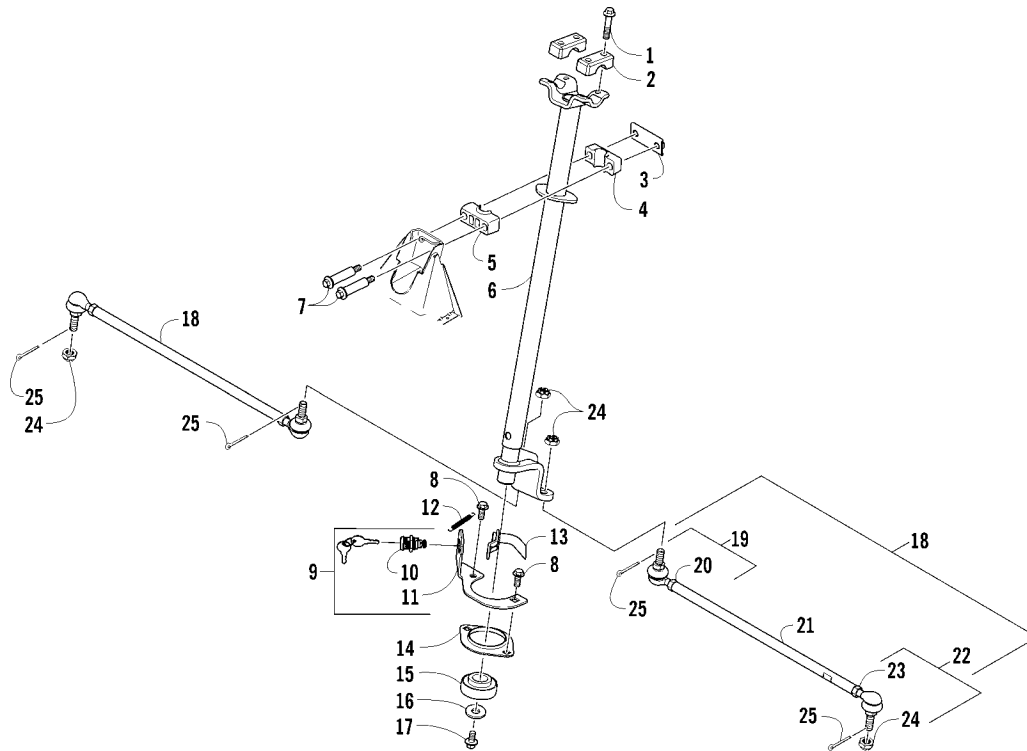
Ref	Part No.	New Qty	Description	Ref	Part No.	New Qty	Description
1	4506-557	1	Seat Assembly (inc. 2-9)	6	0406-877	4	●● Bumper, Seat - Front
2	1506-209	1	● Cover, Seat	7	0624-263	AR	● Staple
3	0517-119	1	● Foam, Seat	8	1406-592	1	● Spring, Seat Latch
4	2416-826	1	● Base, Seat - Assembly (inc. 5-6)	9	1506-156	1	● Latch, Seat
5	0406-879	2	●● Bumper, Seat - Rear	10	0441-587	1	Wrench, Spanner



PASSENGER SEAT AND BACKREST ASSEMBLY

0745-710

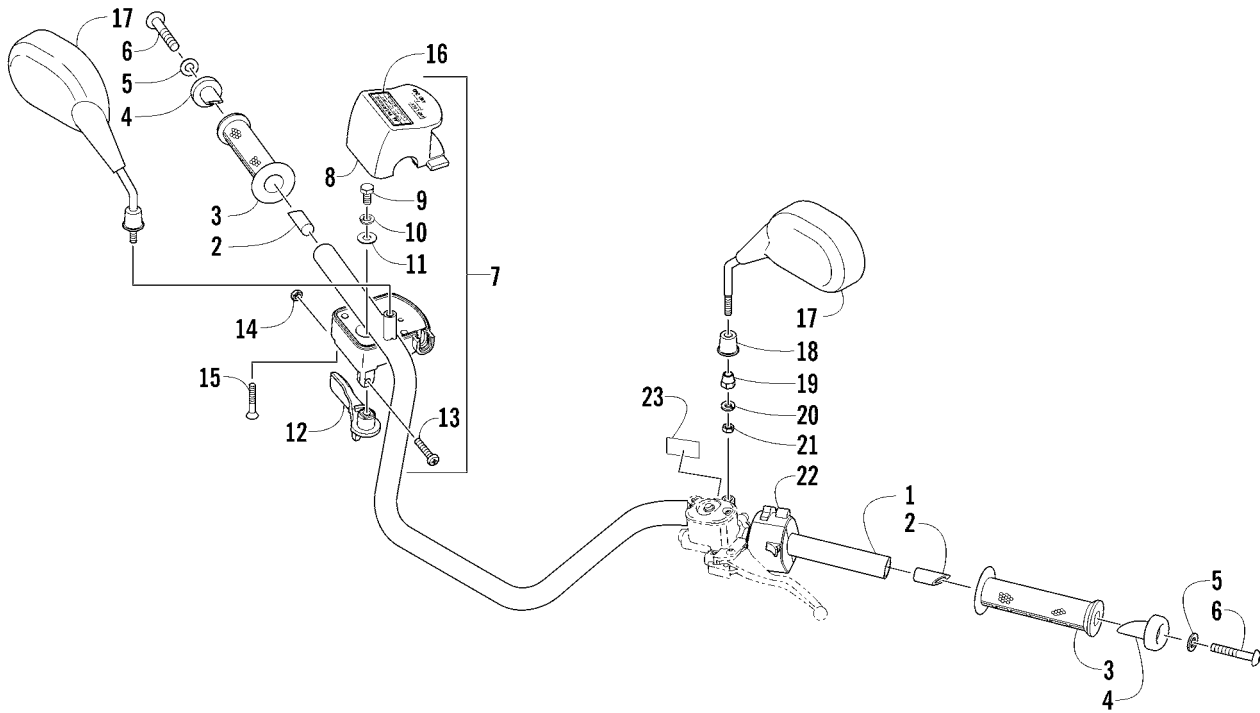
Ref	Part No.	New Qty	Description	Ref	Part No.	New Qty	Description
1	2516-896	1	Seat, Passenger - Assembly (inc. 2-14)	10	8432-802	6	● Nut, Lock
2	2506-064	1	● Seat, Passenger - Sub-Assembly (inc. 3-6)	11	2516-040	1	● Bracket, Seat Support - Assembly
3	1506-816	1	●● Foam, Seat - Passenger	12	8427-602	4	● Nut, Lock
4	1506-815	1	●● Cover, Seat - Passenger	13	2406-895	2	● End Cap, Seat Support
5	0624-263	AR	●● Staple	14	0423-538	2	● Screw, Self-Tapping
6	2406-110	1	●● Base, Seat - Inner	15	2516-020	1	Backrest Assembly (inc. 16-17)
7	2406-044	1	● Base, Seat - Passenger	16	2516-018	1	● Foam, Backrest
8	8468-830	6	● Screw, Machine	17	2516-141	1	● Cover, Backrest
9	2406-834	1	● Handhold, Passenger - Right	18	8408-816	4	Screw, Cap
	2406-835	1	● Handhold, Passenger - Left	19	0411-814	1	Decal, "Arctic Cat"



STEERING ASSEMBLY

0745-326

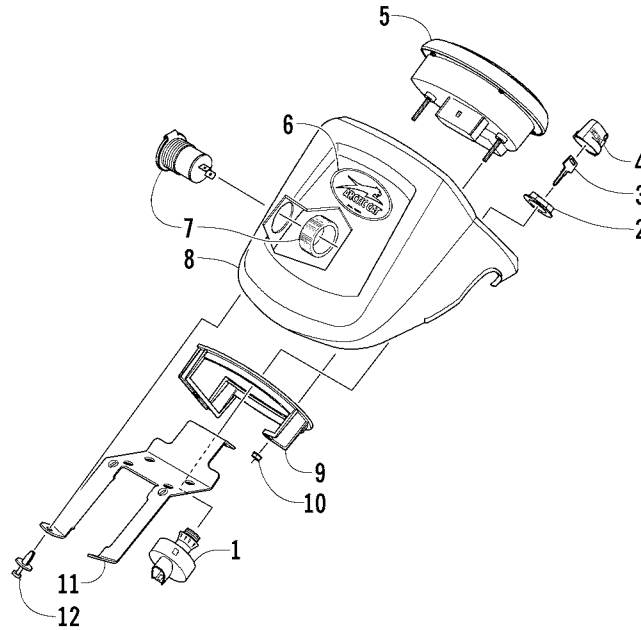
Ref	Part No.	New Qty	Description	Ref	Part No.	New Qty	Description
1	8408-835	4	Screw, Cap	15	0405-052	1	Bearing w/Inverted Oil Seal
2	0405-035	2	Cap, Steering Adjuster	16	0423-073	1	Washer
3	0505-484	1	Cap, Housing	17	8409-020	1	Screw, Cap
4	0405-260	1	Housing, Upper	18	0505-499	2	Tie Rod - Assembly (inc. 19-23)
5	0405-259	1	Housing, Lower	19	0505-511	2	● End, Tie Rod - Left-Hand Thread - Kit (inc. 20)
6	0505-493	1	Post, Steering	20	0423-013	2	●● Nut - Left-Hand Thread
7	0423-505	2	Screw, Shoulder	21	0405-281	2	● Tie Rod
8	8408-820	2	Screw, Cap	22	0505-510	2	● End, Tie Rod - Right-Hand Thread - Kit (inc. 23)
9	0505-713	1	Steering Lock Assembly (inc. 10-13)	23	8420-002	2	●● Nut - Right-Hand Thread
10	2406-354	1	● Lock	24	0423-157	4	Nut, Lock
11	2406-349	1	● Bracket, Mounting - Lock	25	0623-175	4	Pin, Cotter
12	1423-058	1	● Spring				
13	2506-173	1	● Latch				
14	0602-233	1	Flange, Bearing				



HANDLEBAR ASSEMBLY

0745-005

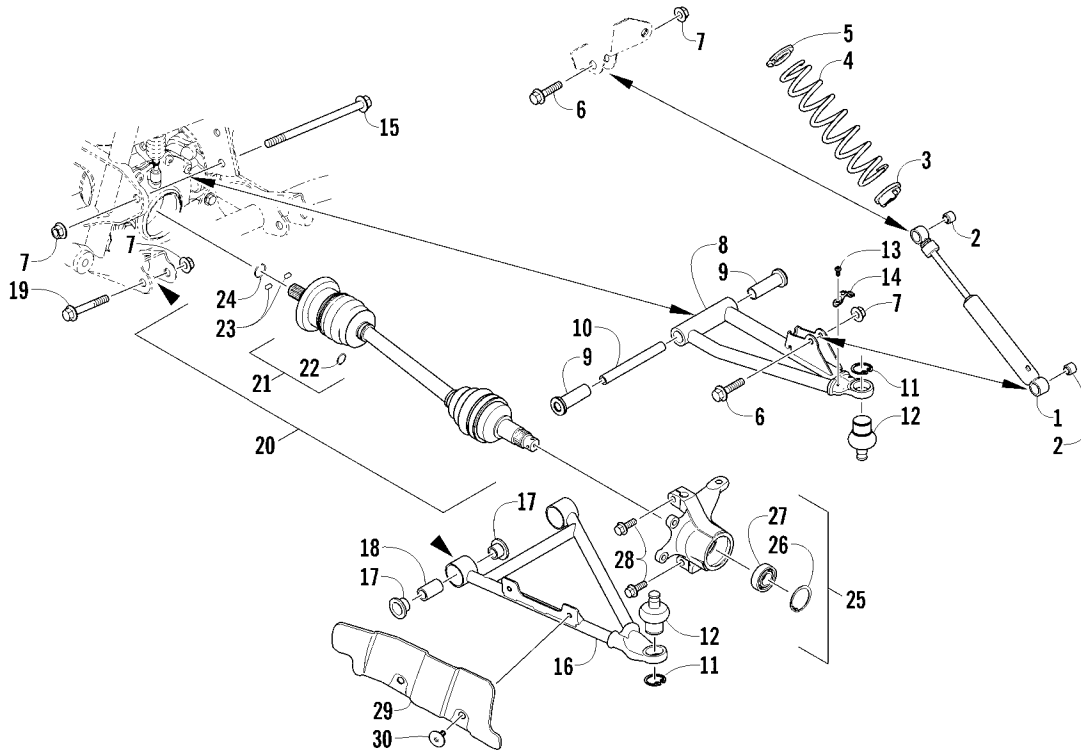
Ref	Part No.	New Qty	Description	Ref	Part No.	New Qty	Description
1	0505-522	1	Handlebar	13	3423-014	1	● Screw, Machine
2	0405-218	2	Plug, Handlebar	14	3423-327	1	● Nut
3	0405-147	2	Grip, Handlebar	15	3423-199	2	● Screw, Machine
4	0405-149	2	End Cap, Handlebar	16	0411-966	1	Decal, Warning - Differential Lock
5	8050-247	2	Washer	17	2406-630	1	Mirror - Right (inc. 18-21)
6	8477-845	2	Screw, Machine		2406-631	1	Mirror - Left (inc. 18-21)
7	0509-054	1	Case, Throttle - Assembly (inc. 8-15)	18	0423-985	2	● Cover
8	0409-141	1	● Cover, Throttle Case w/Switch	19	0423-986	2	● Nut, Adjuster
9	3007-392	1	● Screw, Cap	20	0423-987	2	● Washer, Lock
10	3004-447	1	● Washer, Lock	21	0423-988	2	● Nut
11	3003-030	1	● Washer	22	0409-081	1	Switch, Control - Assembly
12	0409-133	1	● Lever, Throttle	23	1411-865	1	Decal, Warning - Brake Lever Lock



INSTRUMENT POD ASSEMBLY

0746-654

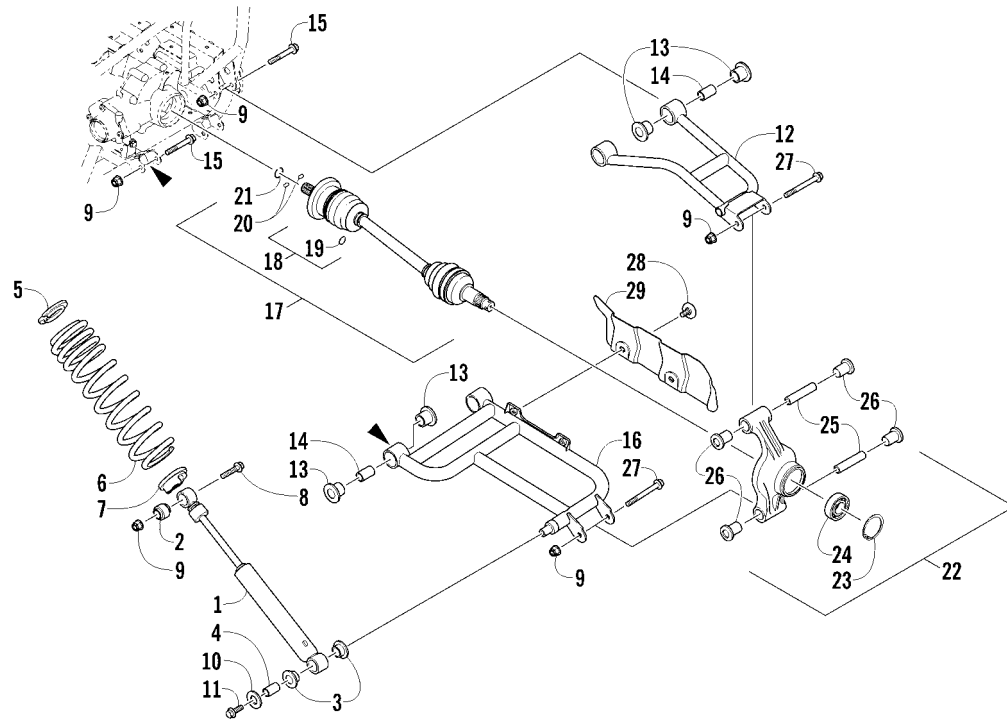
Ref	Part No.	New Qty	Description	Ref	Part No.	New Qty	Description
1	0430-090	1	Switch, Ignition - Assembly (inc. 2-4)	6	9611-751	X	Decal, "Arctic Cat"
2	0430-050	1	● Nut, Retaining	7	0641-897	1	Outlet, Accessory - 12V
3	0430-042	1	● Key, Ignition - (Y Series - Left-Side Cut)	8	0405-276	1	Instrument Pod - Black
	0430-043	1	● Key, Ignition - (Z Series - Right-Side Cut)	9	0420-065	1	Bracket, Retaining
4	0430-054	1	● Cover, Key	10	0423-493	2	Nut w/Washer
5	0520-163	1	Gauge, LCD	11	2506-470	1	Bracket, Mounting - Instrument Pod
				12	0423-535	2	Rivet, Reinstallable



FRONT SUSPENSION ASSEMBLY

0745-247

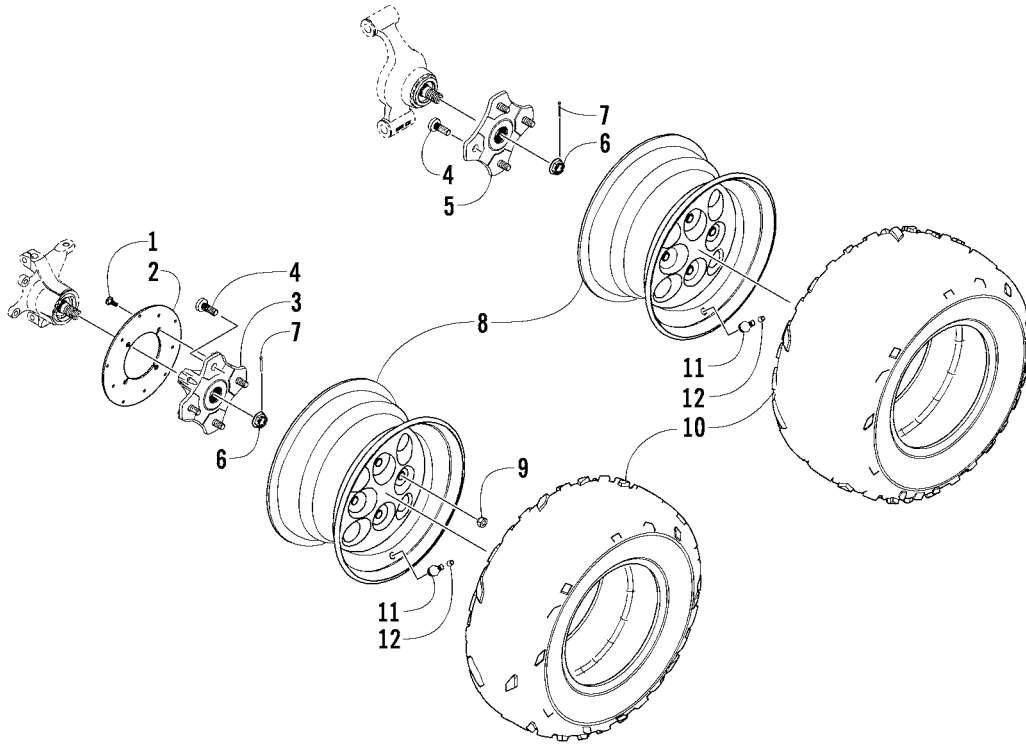
Ref	Part No.	New	Qty	Description	Ref	Part No.	New	Qty	Description
1	0403-209		2	Shock Absorber (inc. 2)	17	0403-208		8	● Bushing
2	0403-182		4	● Bushing	18	0403-214		4	● Axle
3	0403-288	X	2	Cam, Spring Adjuster	19	8409-075		4	Screw, Cap
4	0503-468		2	Spring, Suspension - White	20	1502-800		1	Axle, Drive - Right (inc. 21-24)
5	1603-889		2	Retainer, Spring	21	1502-799		1	Axle, Drive - Locking - Left (inc. 21-24)
6	8409-040		4	Screw, Cap	22	1436-419		2	● Repair Kit, Boot (inc. 22)
7	0423-744		10	Nut, Lock	23	1441-988		2	● Clip, Retaining
8	0503-416		1	A-Arm, Upper Right - Black (inc. 9-12)	24	1402-885		4	● Pin, Detent
9	0503-417		1	A-Arm, Upper Left - Black (inc. 9-12)	25	1402-889		2	● Clip, Retaining
10	0403-207		4	● Bushing	26	0505-576		1	Knuckle - Assembly - Right (inc. 26-27)
11	0403-080		2	● Axle	27	0505-577		1	Knuckle - Assembly - Left (inc. 26-27)
12	0423-009		4	● Ring, Retaining	28	0423-423		2	● Ring, Retaining
13	0405-483		4	● Ball Joint	29	1402-809		2	● Bearing
14	0423-946		4	Screw, Self-Tapping	30	0423-998		4	Screw, Shoulder
15	1502-594		2	Clamp, Routing		1406-034		1	Guard, Boot - Right - Black
16	0423-334		2	Screw, Cap		1406-035		1	Guard, Boot - Left - Black
17	0503-376		1	A-Arm, Lower Right - Black (inc. 17-18 and two No. 11-12)		0423-545		4	Screw, Shoulder
	0503-377		1	A-Arm, Lower Left - Black (inc. 17-18 and two No. 11-12)					



REAR SUSPENSION ASSEMBLY

0745-252

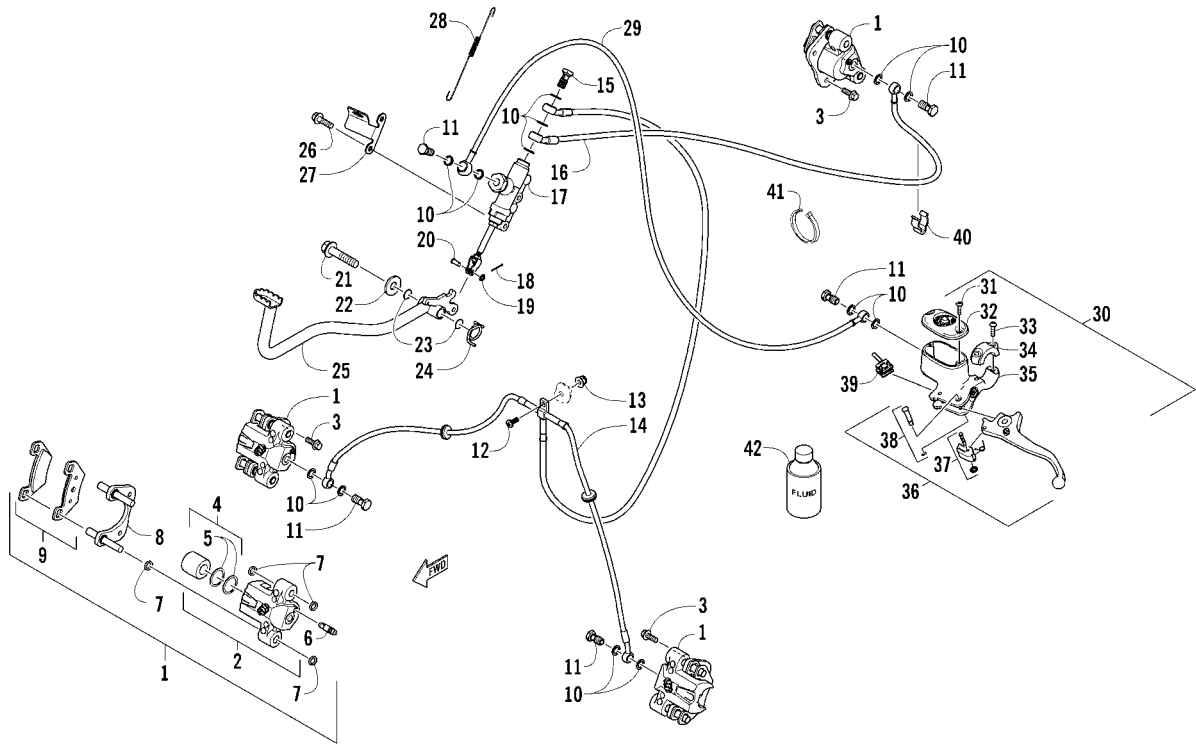
Ref	Part No.	New Qty	Description	Ref	Part No.	New Qty	Description
1	0404-158	2	Shock Absorber (inc. 2-4)	17	1502-798	2	Axle, Drive (inc. 18-21)
2	0403-182	2	● Bushing	18	1436-419	2	● Repair Kit, Boot (inc. 19)
3	0603-955	4	● Bushing	19	1441-988	2	●● Clip, Retaining
4	1603-219	2	● Sleeve	20	1402-884	4	● Pin, Detent
5	1603-889	2	Retainer, Spring	21	1402-890	2	● Clip, Retaining
6	0504-638	2	Spring, Suspension - White	22	0504-616	1	Knuckle, Right - Assembly (inc. 23-26)
7	0404-057	2	Cam, Spring Adjuster		0504-549	1	Knuckle, Left - Assembly (inc. 23-26)
8	8409-050	2	Screw, Cap	23	0423-423	2	● Ring, Retaining
9	0423-744	14	Nut, Lock	24	1402-809	2	● Bearing
10	0423-087	2	Washer	25	0403-213	4	● Axle
11	8408-820	2	Screw, Cap	26	0403-206	8	● Bushing
12	0504-582	1	A-Arm, Rear - Upper Right - Black (inc. 13-14)	27	8409-000	4	Screw, Cap
	0504-583	1	A-Arm, Rear - Upper Left - Black (inc. 13-14)	28	0423-545	4	Screw, Shoulder
13	0403-208	16	● Bushing	29	1406-068	1	Guard, Boot - Rear - Right - Black
14	0403-214	8	● Axle		1406-069	1	Guard, Boot - Rear - Left - Black
15	8409-075	8	Screw, Cap				
16	0504-572	1	A-Arm, Rear - Lower Right - Black (inc. 13-14)				
	0504-573	1	A-Arm, Rear - Lower Left - Black (inc. 13-14)				



WHEEL AND TIRE ASSEMBLY

0743-964

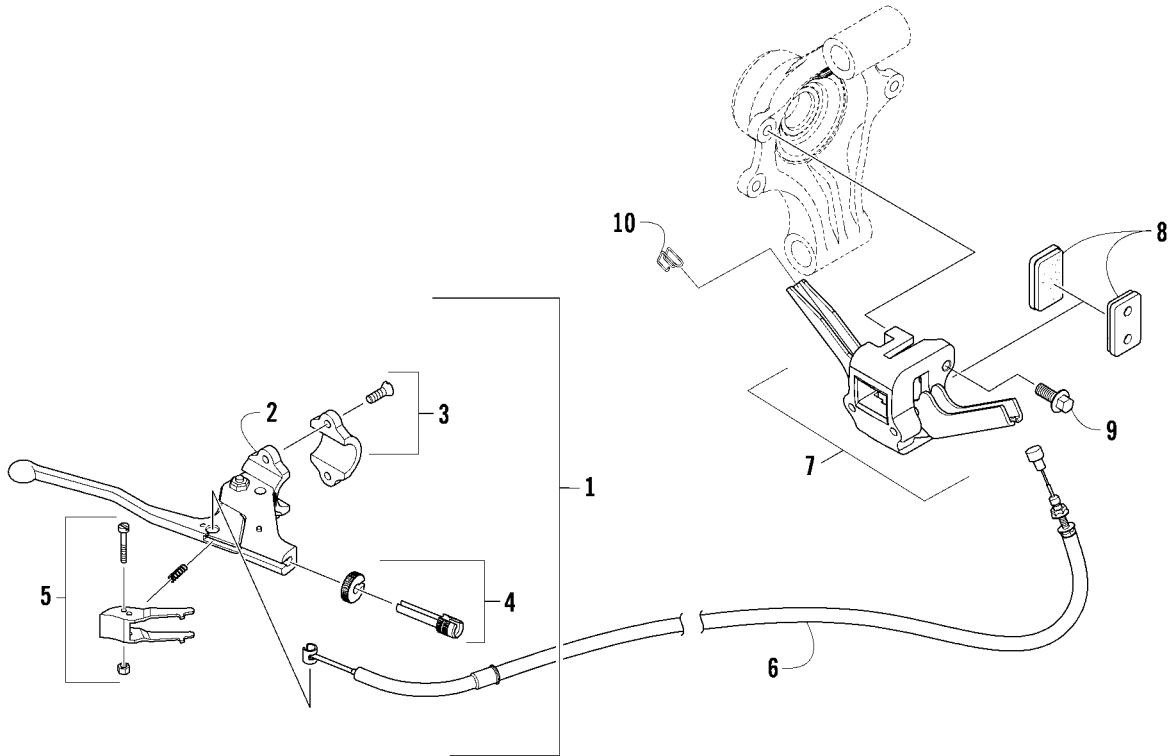
Ref	Part No.	New Qty	Description	Ref	Part No.	New Qty	Description
1	0423-557	12	Screw, Shoulder	9	1402-776	2	Wheel - Front - Platinum
2	1436-164	3	Disc, Brake	8	1402-777	2	Wheel - Rear - Platinum
3	1502-462	2	Hub, Wheel - Front (inc. 4)	9	0423-408	16	Nut, Lug
4	0402-974	16	● Stud	10	1402-858	2	Tire - Front
5	1502-462	1	Hub, Wheel - Rear - Right (inc. 4)	11	1402-859	2	Tire - Rear
6	1502-464	1	Hub, Wheel - Rear - Left (inc. 4)	11	0402-064	4	Stem, Valve (inc. 12)
7	0423-607	4	Nut, Castle	12	0402-140	4	● Cap, Valve Stem
8	0423-407	4	Pin, Cotter				



HYDRAULIC BRAKE ASSEMBLY

0747-093

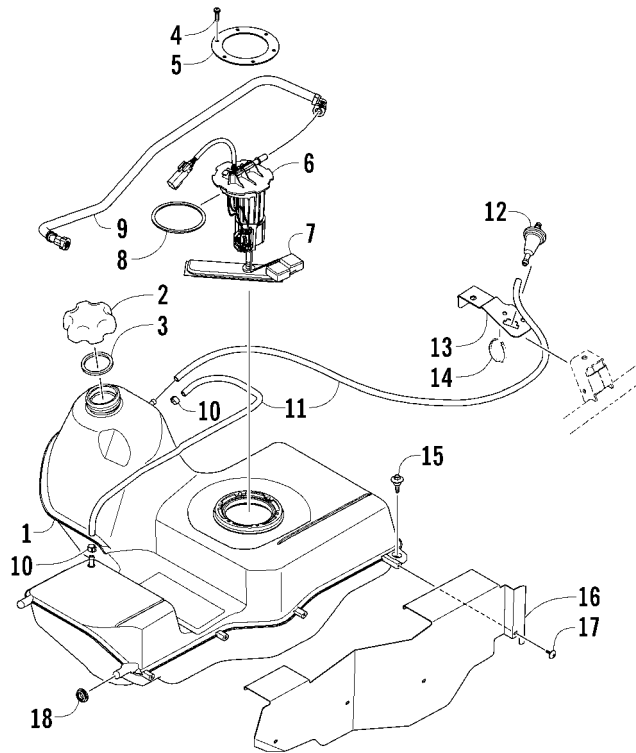
Ref	Part No.	New Qty	Description	Ref	Part No.	New Qty	Description
1	1436-422	1	Caliper, Brake - Right Front (inc. 2-9)	19	8050-217	1	Washer
	1436-423	1	Caliper, Brake - Left Front (inc. 2-9)	20	1402-377	1	Pin, Clevis
	1436-423	1	Caliper, Brake - Rear (inc. 2-9)	21	8408-816	1	Screw, Cap
2	1436-160	1	● Housing, Caliper - Assembly - Right Front (inc. 3-6)	22	8050-252	1	Washer
	1436-161	1	● Housing, Caliper - Assembly - Left Front (inc. 3-6)	23	1602-213	2	O-Ring
	1436-161	1	● Housing, Caliper - Assembly - Rear (inc. 3-6)	24	0502-807	1	Spring, Brake Lever
3	8408-821	6	●● Screw, Cap	25	1502-063	1	Lever, Brake
4	0502-606	3	●●● Piston/Seal Set (inc. 5)	26	8408-625	2	Screw, Cap
5	0502-607	3	●●● Seal Set	27	0502-840	1	Bracket, Switch
6	0502-609	3	●● Valve, Bleed	28	0502-785	1	Spring, Brake Switch
7	0502-608	3	● O-Ring, Guide - Set	29	1402-592	1	Hose, Brakeline
8	0502-605	3	● Bracket Assembly	30	0502-914	1	Brake Assembly (inc. 31-39)
9	1502-694	3	● Pad, Brake - Set	31	0502-566	1	● Screw, Machine - Kit
10	0423-178	13	Washer, Crush	32	0502-868	1	● Cover, Reservoir
11	0423-413	5	Bolt, Banjo-Fitting	33	0502-568	1	● Screw, Machine - Kit
12	8476-625	1	Screw, Machine	34	0502-869	1	● Clamp, Master Cylinder
13	8427-602	1	Nut, Lock	35	0502-704	1	● Master Cylinder Assembly
14	1502-148	1	Hose, Brakeline - Assembly	36	0502-866	1	● Lever Assembly - Kit (inc. 37-38)
15	0423-610	1	Bolt, Banjo-Fitting - Double	37	0502-867	1	●● Lock, Brake Lever - Kit
16	1402-594	1	Hose, Brakeline	38	0502-580	1	●● Lever Pin - Kit
17	1502-147	1	Brake Assembly	39	0502-564	1	● Switch, Brake
18	0117-868	1	Pin, Cotter	40	1502-115	2	Clip, Brakeline Hose
				41	0123-788	AR	Tie, Cable - 8 in.
				42	5639-848	X AR	Fluid, Brake - 12 oz



PARKING BRAKE ASSEMBLY

0743-214

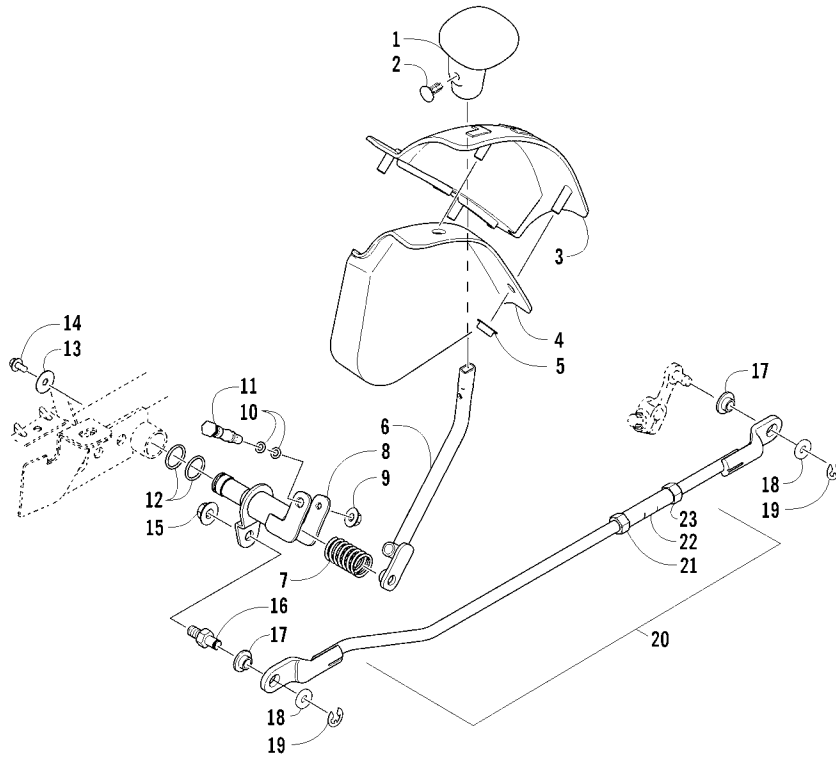
Ref	Part No.	New Qty	Description	Ref	Part No.	New Qty	Description
1	1502-278	1	Lever, Parking Brake - Assembly (inc. 2-6)	6	0487-055	1	● Cable, Brake - Rear
2	1502-429	1	● Lever, Parking Brake - Kit	7	1502-865	1	Mechanical Brake Assembly (inc. 8)
3	1502-432	1	● Clamp, Handlebar - Kit	8	1402-602	2	● Pad, Brake
4	1502-430	1	● Adjuster, Thumb Nut - Kit	9	8408-826	2	Screw, Cap
5	1502-431	1	● Lock, Parking Brake Lever - Kit	10	0402-379	1	Wire Form, Cable



GAS TANK ASSEMBLY

0746-919

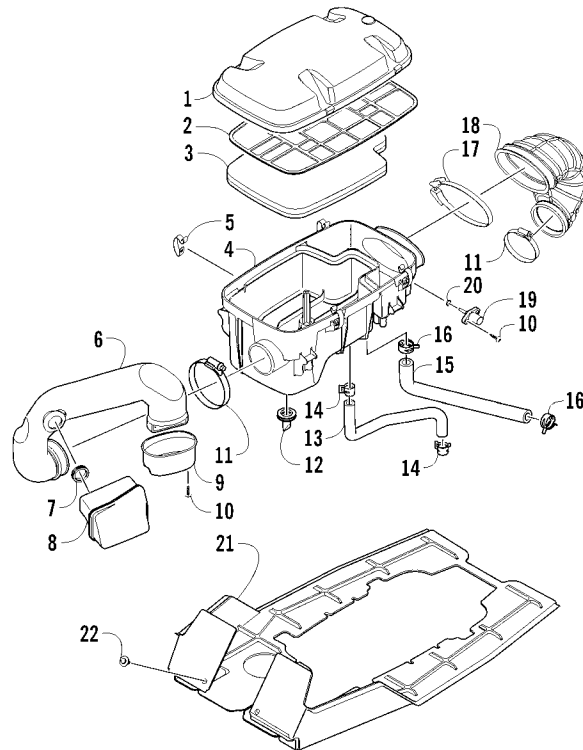
Ref	Part No.	New Qty	Description	Ref	Part No.	New Qty	Description
1	0570-308	1	Tank, Gas - Assembly (inc. 2-5)	10	0423-688	AR	Clamp, Hose
2	0470-438	1	● Cap, Gas Tank (inc. 3)	11	0410-070	AR	Hose, Gasline - 25 ft
3	0109-733	1	●● Gasket, Gas Tank Cap	12	0470-988	X	1 Filter, In-Line
4	0423-898	6	● Screw, Self-Tapping	13	0470-979	X	1 Bracket, Mounting - Filter
5	2670-042	1	● Plate, Retaining	14	0123-788	AR	Tie, Cable - 8 in.
6	0570-323	1	Pump, Fuel - Assembly (inc. 7-8)	15	0423-732	2	Screw, Shoulder
7	2670-235	1	● Float	16	0470-822	1	Shield, Heat
8	0470-838	1	● Seal	17	0623-797	4	Screw, Self-Tapping
9	0570-305	1	Hose, Fuel - Assembly	18	0423-460	2	Grommet



SHIFT LEVER ASSEMBLY

0745-123

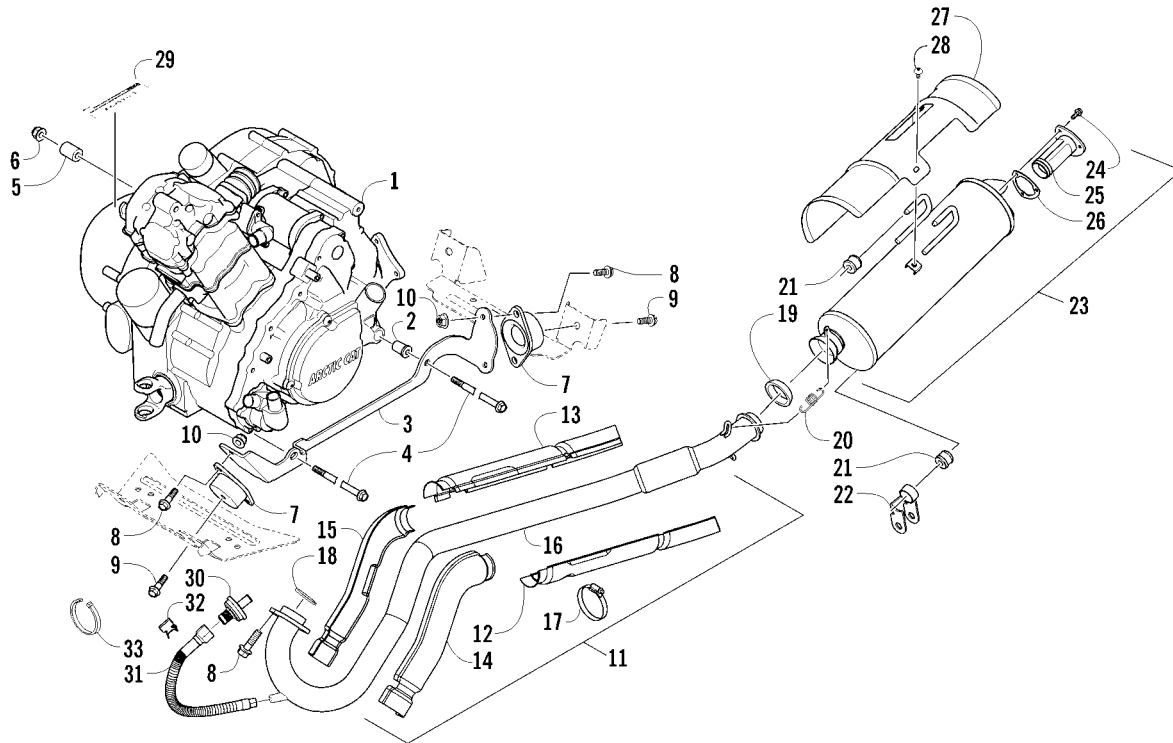
Ref	Part No.	New	Qty	Description	Ref	Part No.	New	Qty	Description
1	0402-843		1	Knob, Shift	13	0423-087		1	Washer
2	0423-345		1	Clip, Retaining	14	8408-812		1	Screw, Cap
3	1402-576		1	Plate, Shift	15	8424-802		1	Nut
4	2406-345		1	Shield, Shift Plate	16	1402-621		1	Pin, Mounting
5	0423-357		4	Nut, Stamped	17	0423-091		2	Bushing
6	1502-977	X	1	Lever, Shift	18	0623-094		2	Washer
7	0402-678		1	Spring, Shift Lever	19	0423-169		2	E-Ring
8	1502-332		1	Actuator, Shift	20	1502-200		1	Linkage, Shift - Assembly (inc. 21-23)
9	8424-602		1	Nut	21	0123-917		1	● Nut, Hex - Left-Hand Thread
10	0423-182		2	O-Ring	22	1402-619		1	● Coupler
11	0402-675		1	Axle, Pivot	23	0623-294		1	● Nut, Hex - Right-Hand Thread
12	0423-299		2	O-Ring					



AIR INTAKE ASSEMBLY

0745-077

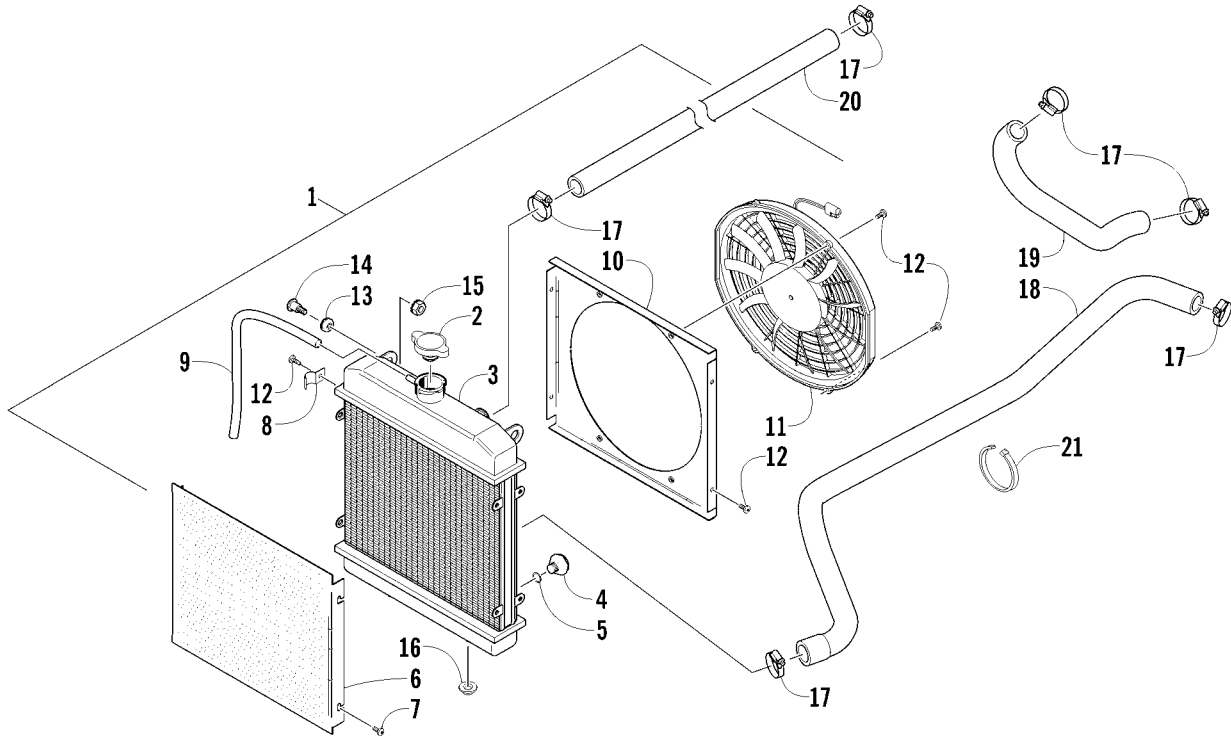
Ref	Part No.	New Qty	Description	Ref	Part No.	New Qty	Description
1	0470-877	1	Cover, Intake	12	0470-442	1	Valve, Drain
2	0470-560	1	Screen, Air Filter	13	0410-172	1	Hose, Vent
3	0470-558	1	Filter, Air	14	1623-281	2	Clamp, Hose
4	0470-728	1	Housing, Intake	15	0470-896	1	Hose
5	0423-455	4	Clip, Spring	16	1623-289	2	Clamp
6	0470-749	1	Duct, Engine Intake	17	0423-554	1	Clamp, Boot
7	0423-763	1	Grommet	18	0470-511	1	Boot
8	0570-215	1	Resonator	19	0430-055	1	Sensor, Air Temperature (inc. 20)
9	0470-729	1	Boot	20	5507-224	1	● O-Ring
10	0423-342	4	Screw, Self-Tapping	21	2406-604	1	Panel, Shield
11	0423-019	2	Clamp, Boot	22	0623-362	2	Rivet, Reinstallable



ENGINE AND EXHAUST

0745-098

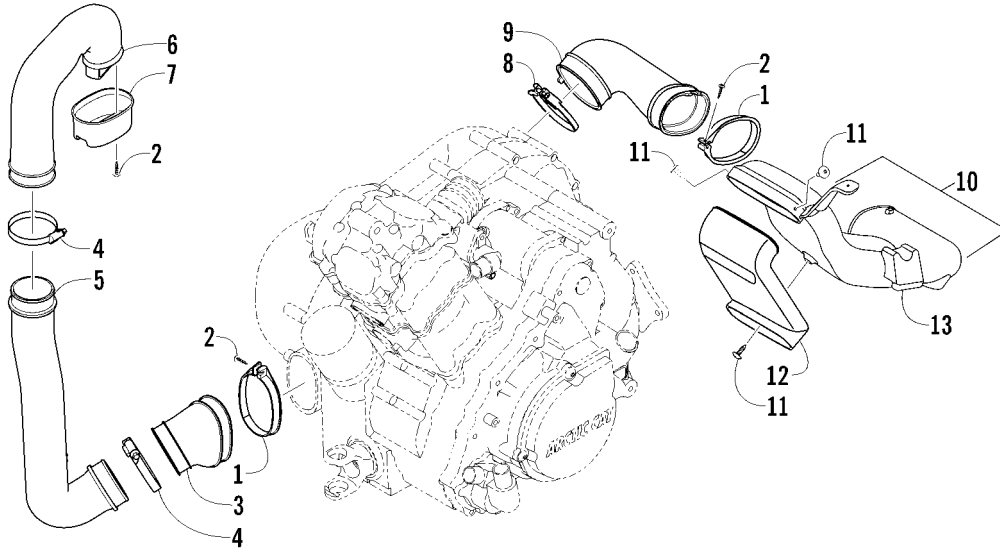
Ref	Part No.	New	Qty	Description	Ref	Part No.	New	Qty	Description
1	0800-137	X	1	Engine, A550F	17	0423-317		3	● Clamp
2	0801-180		4	Mount, Rubber - Engine	18	0412-338		1	Gasket, Exhaust Pipe
3	1506-740		1	Bracket, Engine - Right	19	0412-375		1	Seal, Exhaust
	1506-741		1	Bracket, Engine - Left	20	0612-668		2	Spring, Extension
4	0423-405		2	Screw, Cap	21	0412-577		3	Bushing
5	1423-025		1	Spacer, Engine	22	1506-732		1	Channel, Muffler Support
6	8428-002		2	Nut, Lock	23	0512-592		1	Muffler - Assembly (inc. 24-26)
7	2406-065		4	Mount, Engine	24	8408-616		3	● Screw, Cap
8	8408-820		10	Screw, Cap	25	0512-219		1	● Arrester, Spark - Assembly
9	8408-012		4	Screw, Cap	26	0412-313		1	● Gasket, Spark Arrester
10	8432-802		8	Nut, Lock	27	0412-373		1	Cover, Muffler
11	0512-536		1	Pipe, Exhaust - Assembly (inc. 12-17)	28	8477-610		3	Screw, Machine
12	0512-568		1	● Shield, Exhaust Pipe - Lower - Rear	29	0411-426		1	Decal, Warning - Clutch Cover
13	0512-567		1	● Shield, Exhaust Pipe - Upper - Rear	30	0512-577		1	Valve, Air
14	0412-349		1	● Shield, Exhaust Pipe - Inner - Front	31	0412-574		1	Hose
15	0412-348		1	● Shield, Exhaust Pipe - Outer - Front	32	0412-573		1	Bracket, Retaining
16	0512-537		1	● Pipe, Exhaust	33	0123-903		AR	Tie, Cable - 11.5 in.



COOLING ASSEMBLY

0745-858

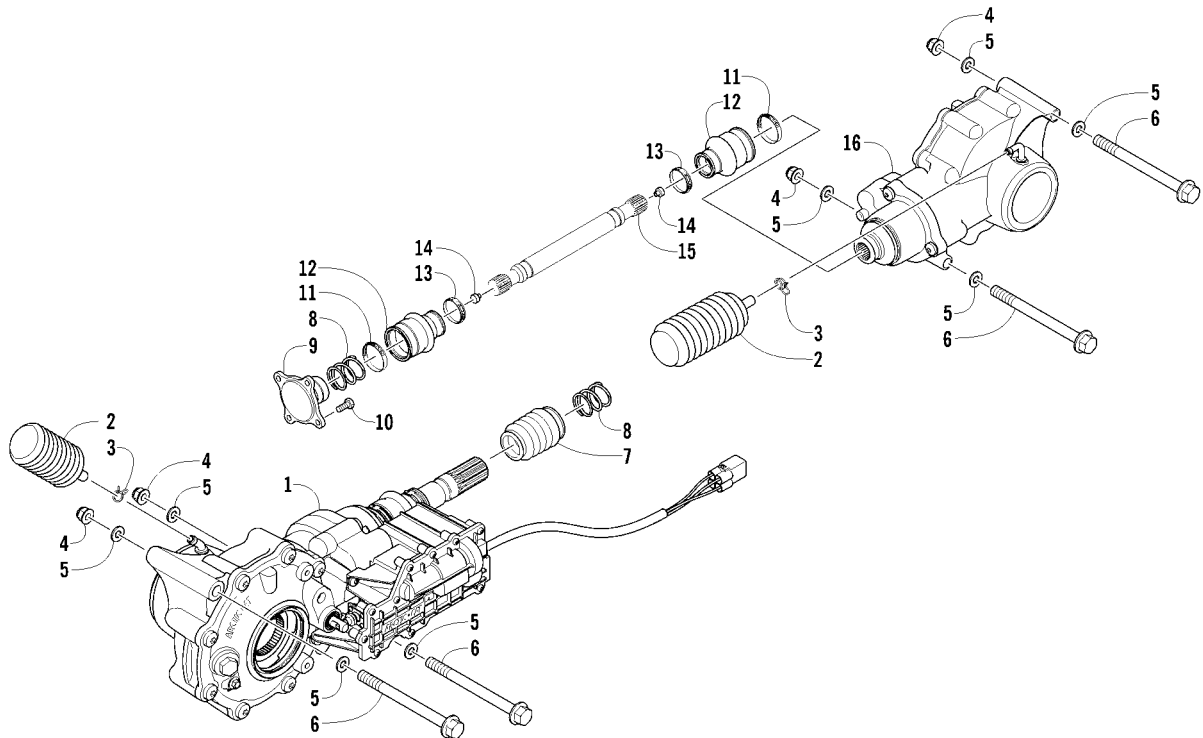
Ref	Part No.	New Qty	Description	Ref	Part No.	New Qty	Description
1	0413-256	1	Radiator Assembly (inc. 2-13)	11	0413-123	1	● Fan, Cooling
2	0413-255	1	● Cap	12	0623-378	8	● Screw, Self-Tapping
3	0413-205	1	● Radiator	13	0423-030	2	● Grommet
4	0413-195	1	● Plug, Drain	14	0423-484	2	Screw, Shoulder
5	1602-213	1	● O-Ring	15	0623-038	2	Nut w/Washer
6	0413-007	1	● Screen	16	0423-028	2	Bushing, Stem
7	8475-512	4	● Screw, Machine	17	0423-496	6	Clamp, Hose
8	0423-351	1	● Clamp, Wire	18	0410-229	1	Hose, Coolant - Lower
9	0610-016	AR	● Hose - 25 ft	19	0410-022	1	Hose, Coolant - Crossover
	0610-015	AR	● Hose - 100 ft	20	0410-002	1	Hose, Coolant - Upper
10	0413-203	1	● Shroud, Fan	21	0123-903	AR	Tie, Cable - 11.5 in.



CASE/BELT COOLING ASSEMBLY

0744-433

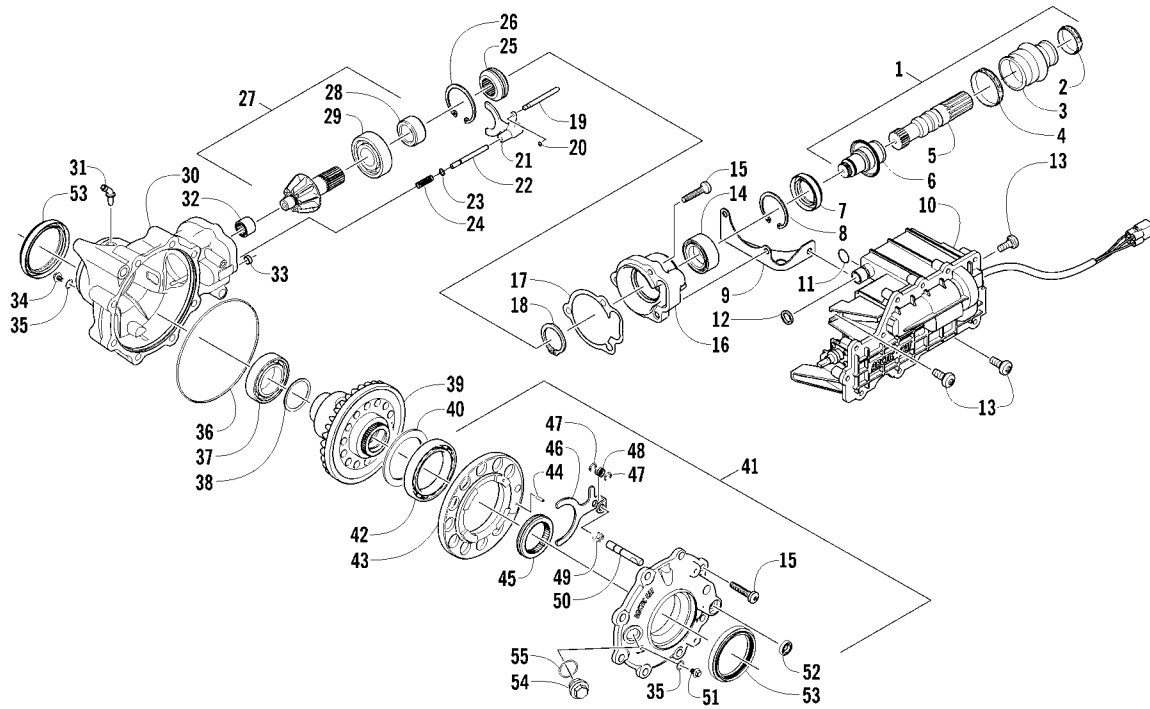
Ref	Part No.	New Qty	Description	Ref	Part No.	New Qty	Description
1	0423-550	2	Clamp	8	0423-730	1	Clamp
2	0423-342	4	Screw, Self-Tapping	9	0413-206	1	Boot, Duct - Air Out - Rear
3	0413-252	1	Boot, Duct - Air Intake - Front	10	0470-824	1	Duct, Air Out - Rear
4	0423-019	2	Clamp	11	0623-784	4	● Screw, Self-Tapping
5	0413-250	1	Duct, Air Intake - Front - Lower	12	0470-778	1	● Duct
6	0470-750	1	Duct, Air Intake - Front - Upper	13	0470-825	1	● Duct
7	0470-729	1	Cup, Air Intake				



DRIVE TRAIN ASSEMBLY

0745-861

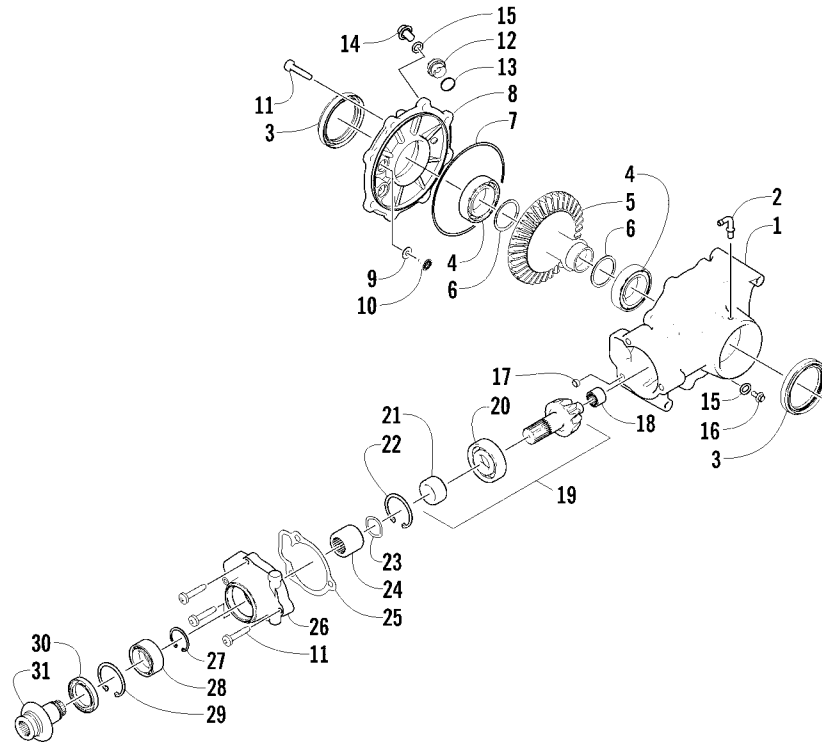
Ref	Part No.	New Qty	Description	Ref	Part No.	New Qty	Description
1	1502-878	1	Gearcase, Front	9	0402-950	1	Flange, Output
2	1402-620	2	Bladder, Gearcase	10	8408-820	4	Screw, Cap
3	0423-315	2	Clamp, Hose	11	0423-393	2	Clamp
4	8428-002	4	Nut, Lock	12	0402-985	2	Boot
5	0423-426	8	Washer	13	0423-411	2	Clamp
6	0423-404	4	Screw, Cap	14	0673-618	2	Bumper, Propeller Shaft
7	0402-966	1	Boot, Shaft	15	1402-092	1	Shaft, Propeller
8	1402-026	2	Spring	16	1502-879	1	Gearcase, Rear



FRONT DRIVE GEARCASE ASSEMBLY

0745-863

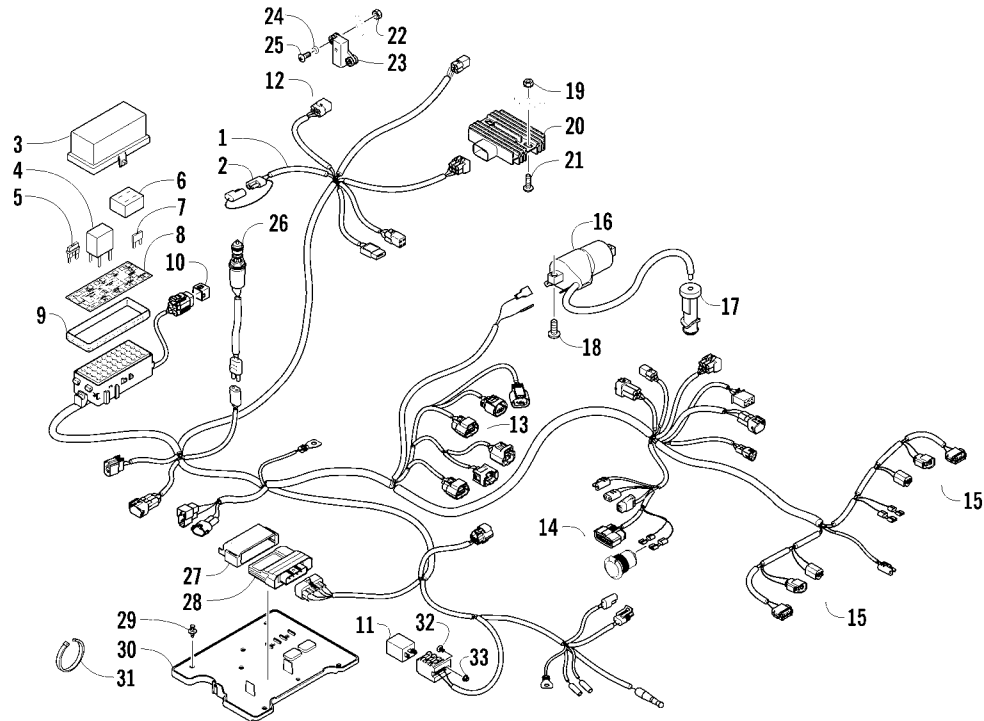
Ref	Part No.	New	Qty	Description	Ref	Part No.	New	Qty	Description
-	1502-878		1	Complete Front Drive Gearcase Assembly	32	0402-328		1	Bearing
1	1502-083		1	Shaft, Propeller - Assembly (inc. 2-6)	33	0402-411		1	Pin, Dowel
2	0423-411		1	● Clamp	34	1402-210		1	Plug, Magnetic (inc. one No. 35)
3	0402-985		1	● Boot, Propeller Shaft	35	0423-153		2	● O-Ring
4	0423-393		1	● Clamp	36	0423-149		1	O-Ring
5	1402-045		1	● Shaft, Output	37	0402-393		1	Bearing
6	1502-085		1	● Shaft, Input	38	0402-405		AR	Shim, 41 x 49 x 1.3 mm
7	1402-011		1	Seal		0402-406		AR	Shim, 41 x 49 x 1.4 mm
8	0423-423		1	Ring, Retaining		0402-407		AR	Shim, 41 x 49 x 1.5 mm
9	1502-237		1	Bracket, Actuator		0402-408		AR	Shim, 41 x 49 x 1.6 mm
10	1502-909		1	Actuator (inc. 11)		0402-409		AR	Shim, 41 x 49 x 1.7 mm
11	1402-981		1	● O-Ring	39	1502-860		1	Gear, Ring - 36T
12	0423-892		1	O-Ring	40	1402-074		AR	Shim, 61 x 69 x 1.3 mm
13	0423-396		3	Screw, Self-Tapping		1402-075		AR	Shim, 61 x 69 x 1.4 mm
14	1402-043		1	Bearing		1402-076		AR	Shim, 61 x 69 x 1.5 mm
15	0423-118		11	Screw, Self-Tapping		1402-077		AR	Shim, 61 x 69 x 1.6 mm
16	0502-528		1	Housing, Pinion		1402-078		AR	Shim, 61 x 69 x 1.7 mm
17	0402-947		1	Gasket, Flange	41	1502-895		1	Cover, Gearcase (inc. one No. 35, 42-52, and one No. 53)
18	0423-417		1	Ring, Retaining	42	1402-053		1	● Bearing
19	0402-997		1	Shaft, Selector	43	0502-413		1	● Flange, Bearing
20	0423-402		1	Ring, Retaining	44	1402-079		1	● Pin, Parallel
21	0402-998		1	Fork, Selector	45	1402-042		1	● Collar, Sliding
22	0402-417		1	Shaft, Shuttle	46	1402-054		1	● Fork
23	0423-147		1	O-Ring	47	1402-058		2	● Ring, Retaining
24	0402-999		1	Spring, Return	48	1402-057		1	● Spring
25	0402-413		1	Coupler, Drive	49	1402-063		1	● Spring
26	1423-067		1	Ring, Retaining	50	1402-656		1	● Shaft, Lock
27	1502-863		1	Gear, Pinion - Assembly - 10T (inc. 28-29)	51	1402-211		1	● Plug, Oil Level (inc. one No. 35)
28	1402-977		1	● Collar, Retaining	52	1402-056		1	● Seal
29	0402-327		1	● Bearing	53	1402-950		2	● Seal
30	1502-856		1	Housing, Gearcase	54	0402-333		1	Plug, Fill (inc. 55)
31	1402-980		1	Fitting, Elbow	55	0423-154		1	● O-Ring



REAR DRIVE GEARCASE ASSEMBLY

0745-864

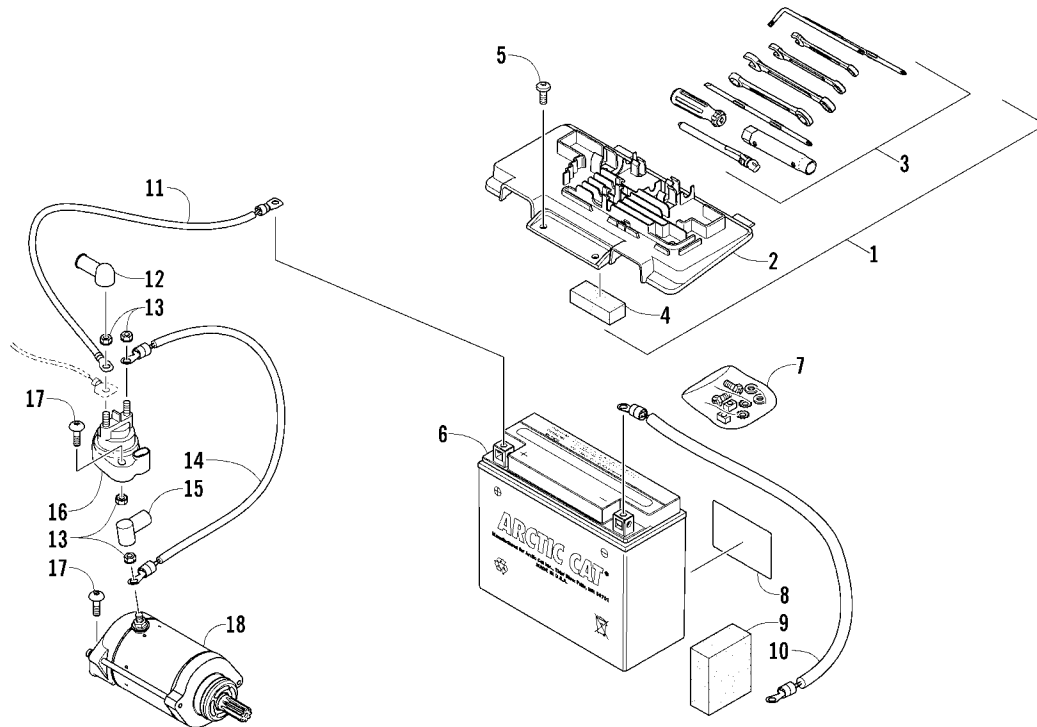
Ref	Part No.	New Qty	Description	Ref	Part No.	New Qty	Description
-	1502-879	1	Complete Rear Drive Gearcase Assembly	12	0402-333	1	Plug, Magnetic (inc. 13)
1	1502-896	1	Housing, Gearcase	13	0423-154	1	● O-Ring
2	1402-442	1	Fitting, Elbow	14	1402-211	1	Plug, Oil Level (inc. one No. 15)
3	1402-950	2	Seal	15	0423-153	2	● O-Ring
4	0402-393	2	Bearing	16	1402-210	1	Plug, Fill (inc. one No. 15)
5	1402-032	1	Gear, Ring - 36T	17	0402-411	1	Pin, Dowel
6	0402-405	AR	Shim, 41 x 49 x 1.3 mm	18	0402-328	1	Bearing
	0402-406	AR	Shim, 41 x 49 x 1.4 mm	19	1502-863	1	Gear, Pinion - Assembly - 10T (inc. 20-21)
	0402-407	AR	Shim, 41 x 49 x 1.5 mm	20	0402-327	1	● Bearing
	0402-408	AR	Shim, 41 x 49 x 1.6 mm	21	1402-977	1	● Collar, Retaining
	0402-409	AR	Shim, 41 x 49 x 1.7 mm	22	1423-067	1	Ring, Retaining
7	0423-149	1	O-Ring	23	0402-982	1	Washer, Wave
8	1502-897	1	Cover, Gearcase	24	0402-981	1	Collar, Shaft
9	0402-429	AR	Shim, 6.3 x 18 x 1.3 mm	25	0402-947	1	Gasket, Flange
	0402-430	AR	Shim, 6.3 x 18 x 1.4 mm	26	0502-529	1	Housing, Pinion
	0402-431	AR	Shim, 6.3 x 18 x 1.5 mm	27	0423-417	1	Ring, Retaining
	0402-432	AR	Shim, 6.3 x 18 x 1.6 mm	28	1402-043	1	Bearing
	0402-433	AR	Shim, 6.3 x 18 x 1.7 mm	29	0423-423	1	Ring, Retaining
10	0402-326	1	Button, Thrust	30	1402-011	1	Seal
11	0423-118	11	Screw, Self-Tapping	31	1502-085	1	Shaft, Input



WIRING HARNESS ASSEMBLY

0745-767

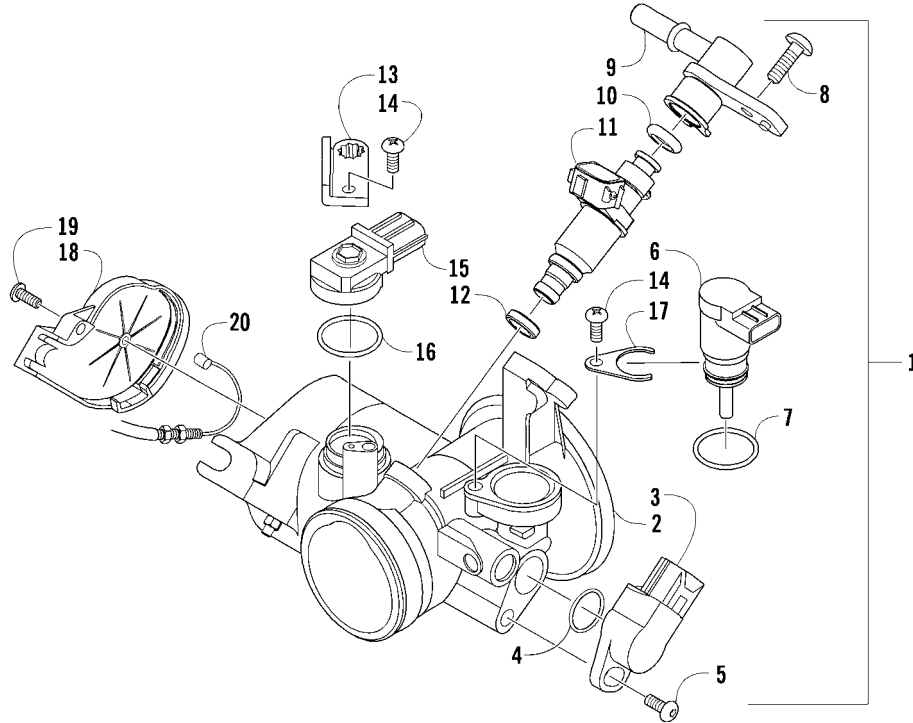
Ref	Part No.	New	Qty	Description	Ref	Part No.	New	Qty	Description
1	0486-348		1	Harness, Main (inc. 2-10)	16	0824-043		1	Coil, Ignition
2	0486-164		1	● Tether, Accessory Connector	17	0824-049		1	Cap, Spark Plug
3	0430-085		1	● Cover, Fuse Block	18	8476-620		2	Screw, Machine
4	0430-045		5	● Relay (4-Pin) - 20 Amp	19	0623-038		2	Nut w/Washer
5	0430-034		1	● Diode	20	0824-037		1	Regulator, Voltage
6	0430-037		1	● Holder, Fuse	21	8476-625		2	Screw, Machine
7	0430-032		5	● Fuse - 10 Amp	22	0423-493		2	Nut w/Washer
	0430-031		4	● Fuse - 15 Amp	23	0409-064		1	Sensor, Tilt
	0430-030		2	● Fuse - 30 Amp	24	0123-802		2	Washer
8	2411-080		1	● Decal, Fuse Block	25	8468-425		2	Screw, Machine
9	0430-086		1	● Seal	26	0409-089		1	Switch, Brake - Assembly
10	0430-097		1	● Cover, Diagnostics Connector	27	0430-076		1	Cushion, ECM
11	0430-049		1	Flasher	28	0530-041		1	ECM
12	1436-416		1	Repair Kit, Connector - Tilt Sensor	29	0623-362		3	Rivet, Reinstallable
13	1436-417		1	Repair Kit, Connector - Idle Speed Control	30	2406-643		1	Tray, Electrical
14	1436-415		1	Repair Kit, Connector - LCD Gauge	31	0123-788		AR	Tie, Cable - 8 in.
15	1436-424	AR		Repair Kit, Connector - Headlight/Turn Signal/Position		0123-903		AR	Tie, Cable - 11.5 in.
					32	8476-516		1	Screw, Machine
					33	8427-502		1	Nut, Lock



BATTERY AND STARTER ASSEMBLY

0746-852

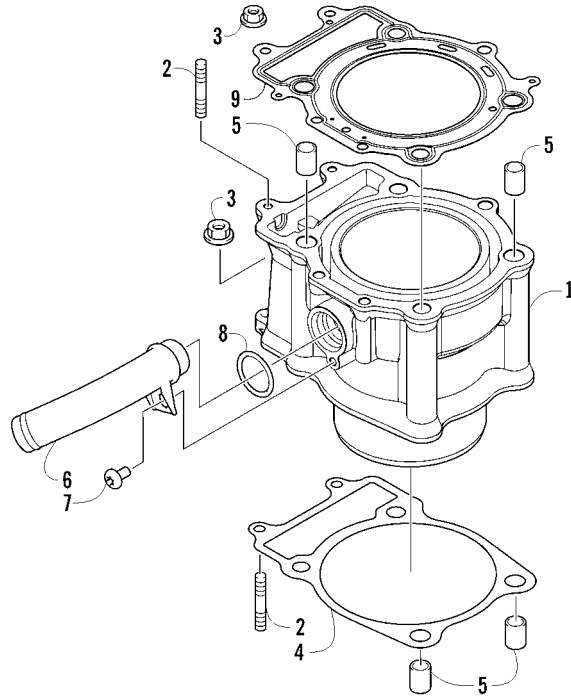
Ref	Part No.	New	Qty	Description	Ref	Part No.	New	Qty	Description
1	5993-040	X	1	Battery Cover/Tool Tray Assembly (inc. 2-4)	10	0445-070		1	Cable, Battery/Ground
2	4406-136	X	1	● Cover, Battery	11	0445-062		1	Cable, Battery/Solenoid
3	0444-122		1	● Kit, Tool	12	0645-327		1	Boot, Terminal
4	0417-016		1	● Pad, Battery	13	0623-038		5	Nut w/Washer
5	8476-620		2	Screw, Machine	14	0445-064		1	Cable, Solenoid/Starter (inc. 15)
6	0645-480		1	Battery Assembly (inc. 7-8)	15	0645-019		1	● Boot, Terminal
7	0445-082		1	● Kit, Hardware	16	0445-058		1	Solenoid
8	0645-430		1	● Decal, Warning	17	8476-625		4	Screw, Machine
9	0417-017		1	Foam, Battery	18	0825-013		1	Motor, Starter - Assembly



THROTTLE BODY ASSEMBLY

0742-670

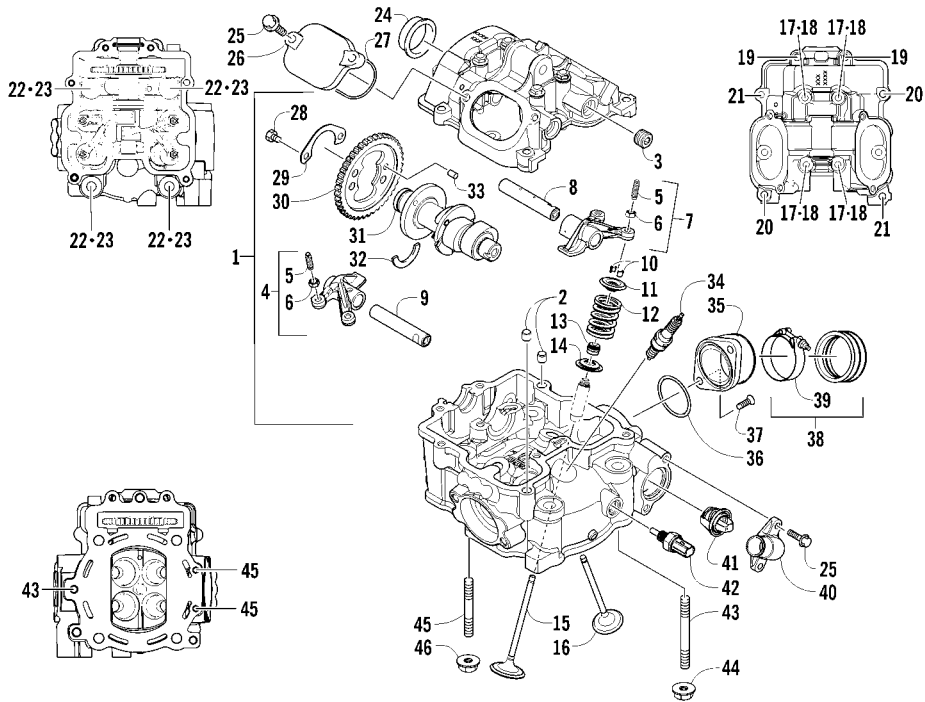
Ref	Part No.	New Qty	Description	Ref	Part No.	New Qty	Description
1	0470-753	1	Throttle - Assembly (inc. 2-19)	11	0470-762	1	● Injector, Fuel
2	-	1	● Throttle Body - Not a Service Part	12	0470-768	1	● Seal
3	0430-072	1	● Sensor, Throttle Position	13	5507-227	1	● Bracket, MAP Sensor
4	5507-234	1	● O-Ring	14	5507-117	2	● Screw, Machine
5	5507-231	1	● Screw, Machine	15	0430-073	1	● Sensor, MAP
6	0430-074	1	● Valve, ISC	16	5507-232	1	● O-Ring
7	5507-233	1	● O-Ring	17	5507-229	1	● Plate, ISC Valve
8	5507-238	1	● Screw, Machine	18	5507-223	1	● Cover
9	0470-687	1	● Rail, Fuel	19	5507-037	1	● Screw, Machine
10	0470-767	1	● O-Ring	20	0487-057	1	Cable, Throttle



CYLINDER ASSEMBLY

0744-071

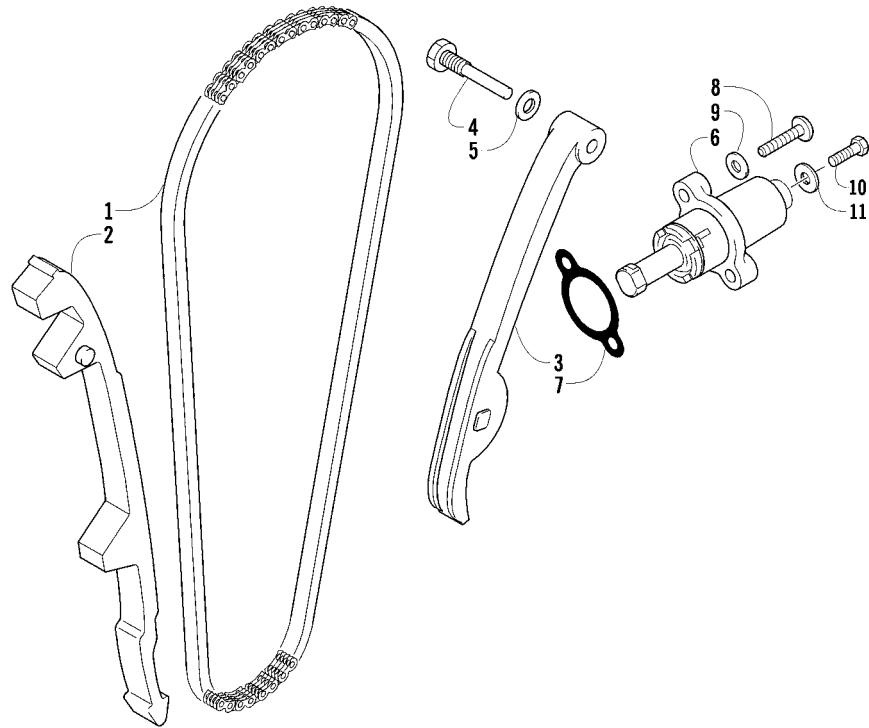
Ref	Part No.	New Qty	Description	Ref	Part No.	New Qty	Description
1	0804-051	1	Cylinder	6	0804-047	1	Union, Coolant Hose
2	0827-002	4	Bolt, Stud	7	8468-612	1	Screw, Machine
3	8424-604	4	Nut	8	0830-007	1	O-Ring
4	0830-084	1	Gasket, Base	9	0830-097	1	Gasket, Cylinder Head
5	0829-002	4	Pin, Dowel				



CYLINDER HEAD AND CAMSHAFT/VALVE ASSEMBLY

0745-901

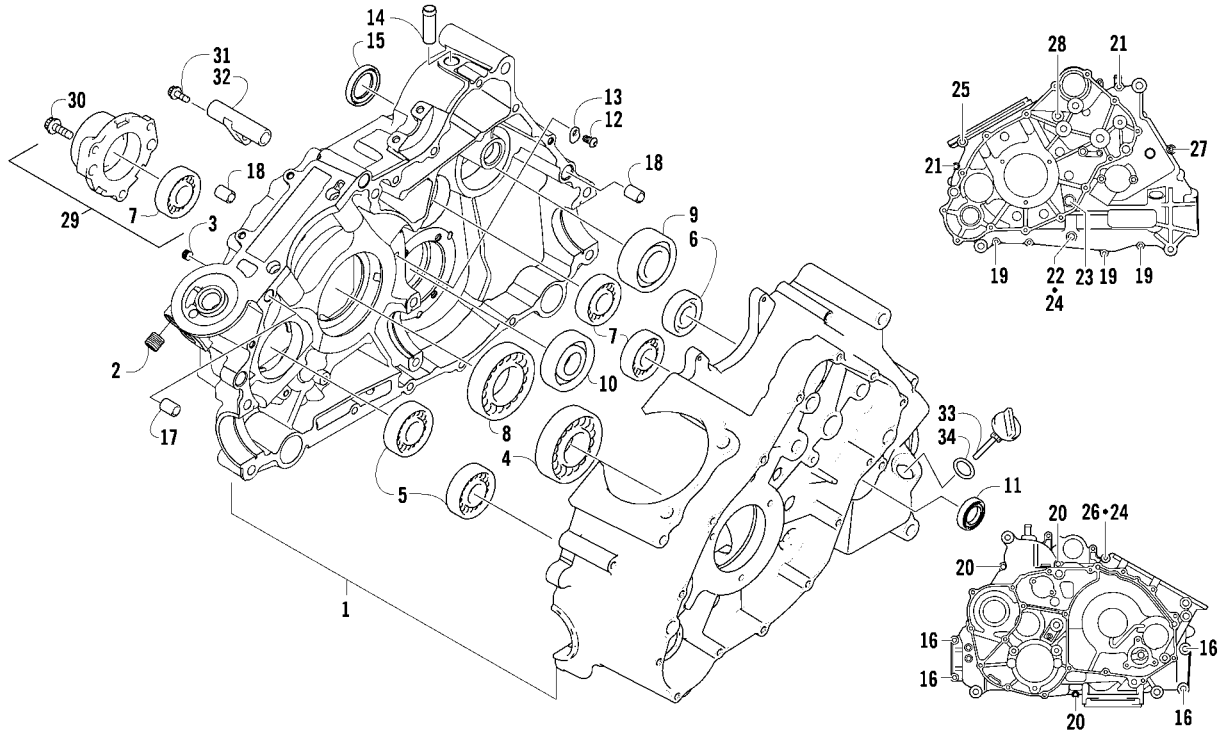
Ref	Part No.	New Qty	Description	Ref	Part No.	New Qty	Description
1	0808-175	1	Head, Cylinder - Assembly (inc. 2-17)	24	0808-077	1	Plug, Cylinder Head
2	0829-048	2	● Pin, Dowel	25	0826-007	6	Screw, Cap
3	0831-092	2	● Plug, Shaft	26	0808-003	2	Cap, Inspection
4	0809-237	1	● Arm, Valve Rocker - Exhaust (inc. two No. 5-6)	27	0830-167	2	O-Ring
5	0809-240	4	●●● Screw, Adjuster	28	0826-034	2	Screw, Cap
6	0827-059	4	●●● Nut	29	0828-004	1	Plate, Retainer
7	0809-234	1	● Arm, Valve Rocker - Intake (inc. two No. 5-6)	30	0809-212	1	Sprocket
8	0809-241	1	● Shaft, Rocker Arm - Intake	31	0809-245	1	Camshaft
9	0809-242	1	● Shaft, Rocker Arm - Exhaust	32	0809-003	1	C-Ring
10	0809-233	8	● Cotter, Valve	33	0829-049	1	Pin, Dowel
11	0809-232	4	● Retainer, Spring	34	0217-799	1	Spark Plug - CPR8E
12	0809-231	4	● Spring, Valve	35	0470-668	1	Flange, Intake Manifold
13	0830-186	4	● Seal, Oil	36	0830-090	1	O-Ring
14	0809-230	4	● Seat, Spring - Valve	37	0826-008	2	Screw, Machine
15	0809-228	2	● Valve, Intake	38	0437-069	1	Boot (inc. 39)
16	0809-229	2	● Valve, Exhaust	39	1423-041	1	● Clamp
17	0826-149	4	● Screw, Cap	40	0808-008	1	Cover, Thermostat
18	0830-155	4	Gasket	41	0808-078	1	Thermostat
19	0826-002	2	Screw, Cap	42	0808-124	1	Sensor, Engine Coolant Temperature
20	0826-005	2	Screw, Cap	43	0827-031	1	Bolt, Stud
21	0826-006	2	Screw, Cap	44	8424-804	1	Nut
22	0808-037	4	Screw, Cap	45	0827-030	2	Bolt, Stud
23	0830-147	4	Washer	46	8424-604	2	Nut



CAM CHAIN ASSEMBLY

0732-308

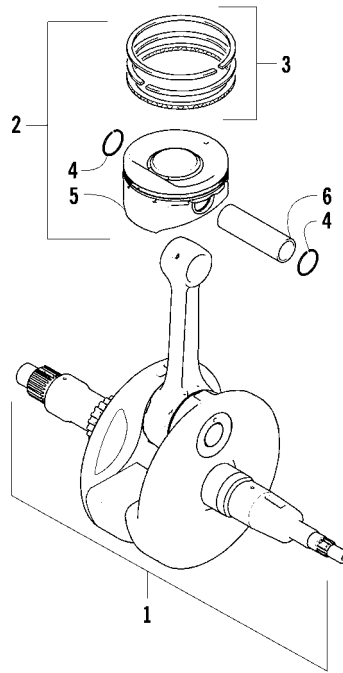
Ref	Part No.	New Qty	Description	Ref	Part No.	New Qty	Description
1	0810-001	1	Chain, Cam	7	0830-018	1	Gasket
2	0810-002	1	Guide, Chain	8	8468-625	2	Screw, Machine
3	0810-003	1	Tensioner, Chain	9	0830-107	2	Gasket
4	0826-036	1	Pivot, Tensioner	10	8400-610	1	Screw, Cap
5	0830-025	1	Washer, Crush	11	0828-129	1	Washer
6	0810-004	1	Adjuster, Tensioner - Assembly				



CRANKCASE ASSEMBLY

0743-953

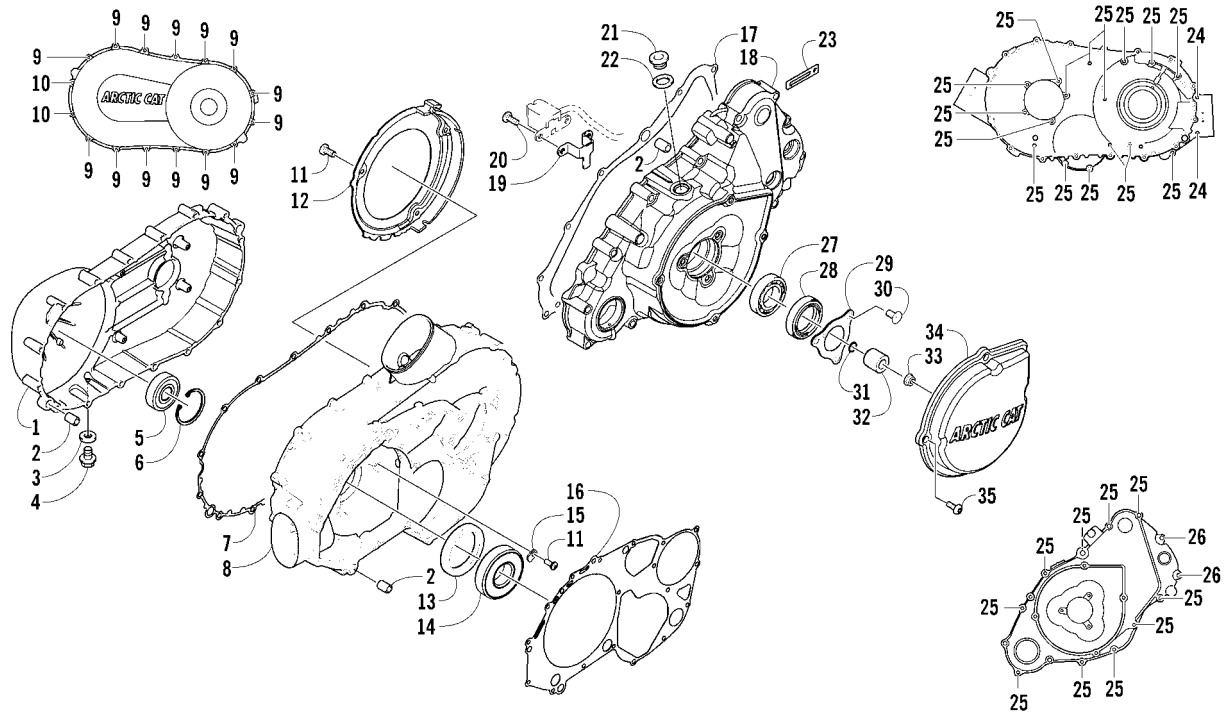
Ref	Part No.	New Qty	Description	Ref	Part No.	New Qty	Description
1	0801-151	1	Crankcase Assembly (inc. 2-15)	19	8468-645	3	Screw, Machine
2	0812-064	2	● Plug	20	8468-655	3	Screw, Machine
3	0801-002	1	● Plug	21	8468-675	2	Screw, Machine
4	0832-043	1	● Bearing	22	8412-860	1	Screw, Cap
5	0832-044	2	● Bearing	23	0826-017	1	Screw, Cap
6	0832-049	1	● Bearing	24	0830-008	2	Gasket
7	0832-050	3	● Bearing	25	0826-019	1	Screw, Cap
8	0832-042	1	● Bearing	26	0826-018	1	Screw, Cap
9	0832-048	1	● Bearing	27	8468-695	1	Screw, Machine
10	0832-077	1	● Bearing	28	8468-680	1	Screw, Machine
11	0822-052	1	● Seal, Countershaft	29	0801-029	1	Housing, Secondary Shaft (inc. one No. 7)
12	0826-100	4	● Screw, Machine	30	0826-105	3	Screw, Cap
13	0822-010	4	● Retainer, Bearing	31	0826-038	1	Screw, Cap
14	0801-028	1	● Pipe, Breather	32	0801-069	1	Pipe, Breather
15	0830-035	1	● Seal, Driveshaft	33	0801-179	1	Stick, Oil Level
16	8412-850	4	Screw, Cap	34	0830-010	1	O-Ring
17	0829-003	1	Pin, Dowel				
18	0829-002	5	Pin, Dowel				



CRANKSHAFT AND PISTON ASSEMBLY

0739-932

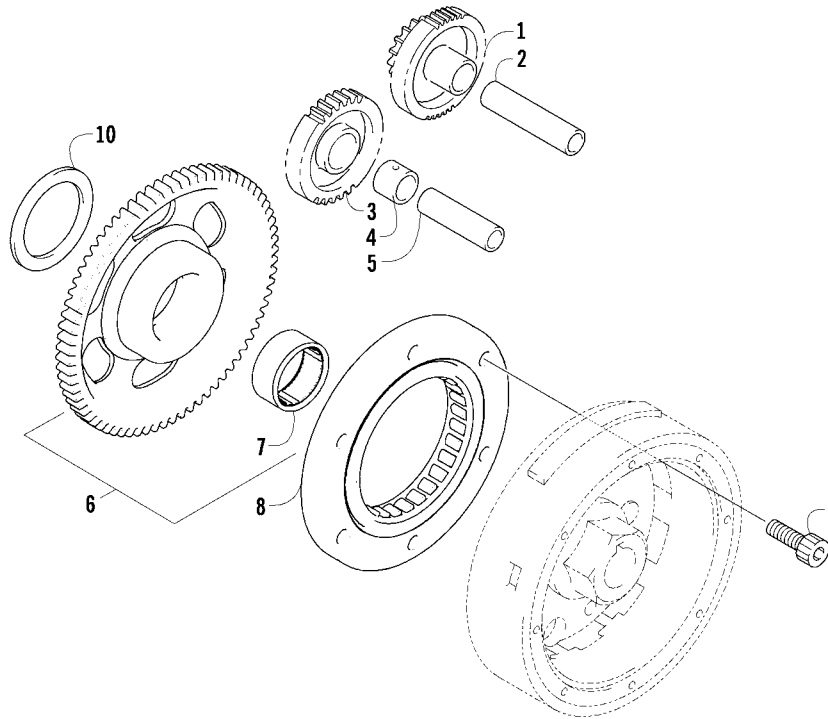
Ref	Part No.	New Qty	Description	Ref	Part No.	New Qty	Description
1	0805-325	1	Crankshaft Assembly	4	0831-001	2	● Circlip, Piston Pin
2	0805-064	1	Piston Set (inc. 3-6)	5	-	1	● Piston - Not a Service Part
3	0805-065	1	● Ring, Piston - Set	6	0805-012	1	● Pin, Piston



CLUTCH/V-BELT/MAGNETO COVER ASSEMBLY

0746-612

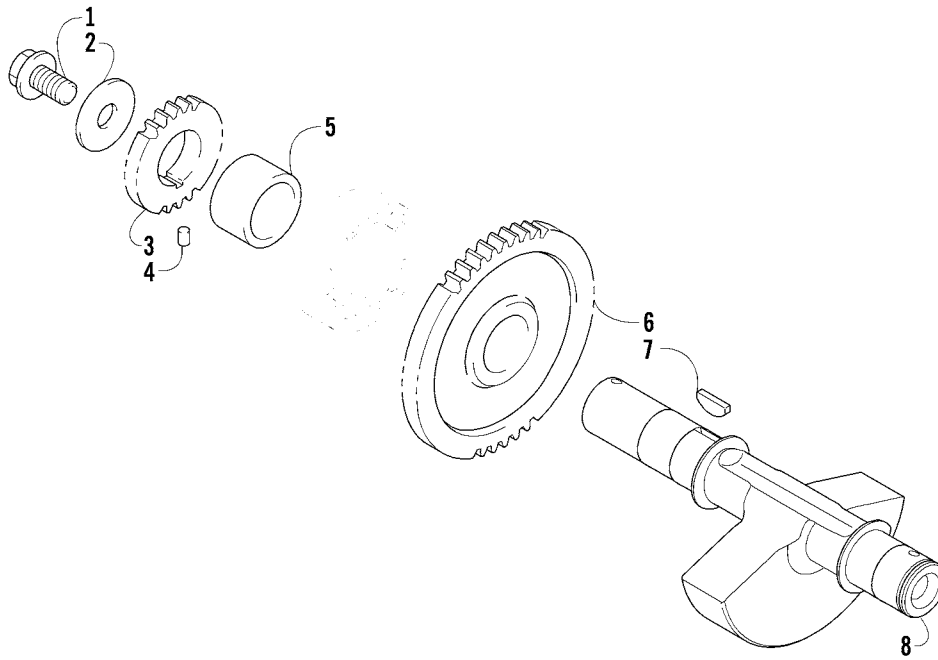
Ref	Part No.	New	Qty	Description	Ref	Part No.	New	Qty	Description
1	0806-089		1	Cover, V-Belt	19	0802-071	X	1	● Clamp, Routing
2	0829-002		6	Pin, Dowel	20	8470-510		2	Screw, Machine
3	0830-013		1	Washer, Crush	21	0826-155		1	Plug
4	8408-812		1	Screw, Cap	22	0830-015		1	Washer, Crush
5	0832-060		1	Bearing	23	1623-984	X	1	Clamp, Routing
6	0831-078		1	Ring, Retaining	24	8468-675		2	Screw, Machine
7	0830-174		1	Gasket, V-Belt Cover	25	8468-640		26	Screw, Machine
8	0806-086		1	Cover, Clutch	26	8468-625		2	Screw, Machine
9	8468-645		14	Screw, Machine	27	1602-981		1	Bearing
10	8468-655		2	Screw, Machine	28	0830-158		1	Seal
11	0826-029		5	Screw, Machine	29	0805-008		1	Retainer, Seal
12	0806-048		1	Plate, Air Intake	30	0826-031		3	Screw, Machine
13	0830-188		1	Seal	31	0830-108		1	O-Ring
14	0832-009		1	Bearing	32	0820-061		1	Bushing
15	0822-010		2	Retainer, Bearing	33	0827-008		1	Nut
16	0830-116		1	Gasket, Clutch Cover	34	0820-062		1	Cover, Magneto
17	0830-128		1	Gasket, Magneto Cover	35	8468-616		4	Screw, Machine
18	0806-127	X	1	Cover, Magneto - Assembly (inc. 19)					



STARTER CLUTCH ASSEMBLY

0739-940

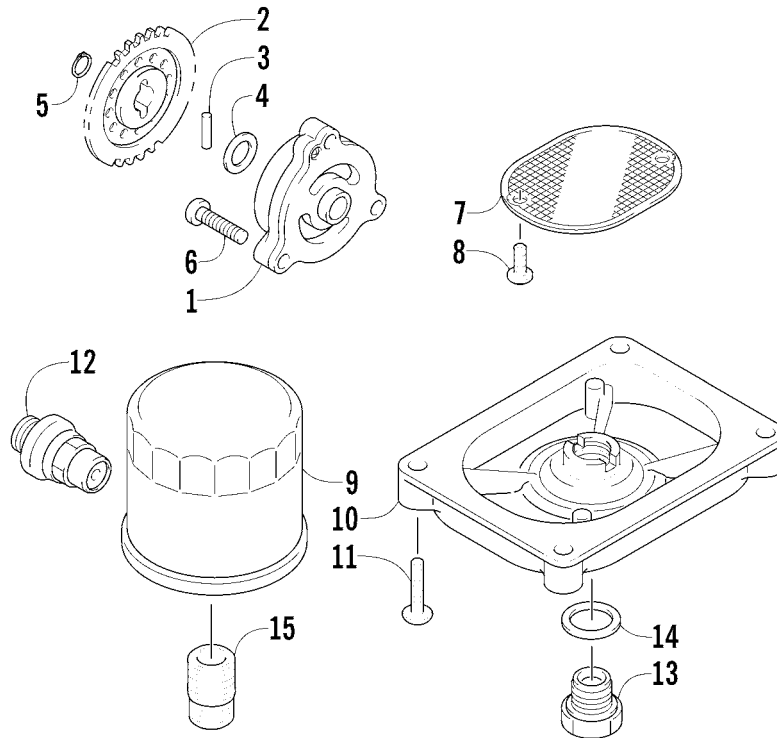
Ref	Part No.	New Qty	Description	Ref	Part No.	New Qty	Description
1	0815-001	1	Gear, Starter Idler - No. 1	6	0815-004	1	Gear, Starter Clutch (inc. 7)
2	0829-031	1	Shaft, Starter Gear	7	0832-079	1	● Bearing
3	0815-002	1	Gear, Starter Idler - No. 2	8	0802-035	1	Clutch, Starter
4	0815-003	1	Spacer, Starter Idler Gear No. 2	9	0826-069	6	Screw, Machine
5	0829-032	1	Shaft, Starter Gear	10	0828-094	1	Washer



CRANK BALANCER ASSEMBLY

0739-941

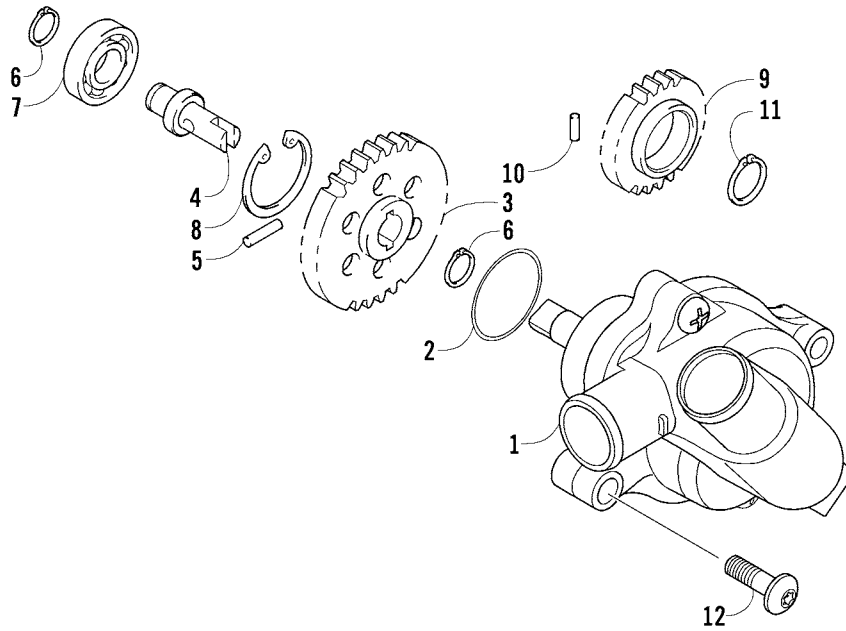
Ref	Part No.	New Qty	Description	Ref	Part No.	New Qty	Description
1	0826-033	1	Screw, Cap	5	0811-004	1	Spacer
2	0828-003	1	Washer	6	0811-034	1	Gear, Driven
3	0811-003	1	Gear, Oil Pump Drive	7	0829-006	1	Key
4	0829-007	1	Pin, Dowel	8	0805-304	1	Balancer, Crank



OIL FILTER/PUMP ASSEMBLY

0744-012

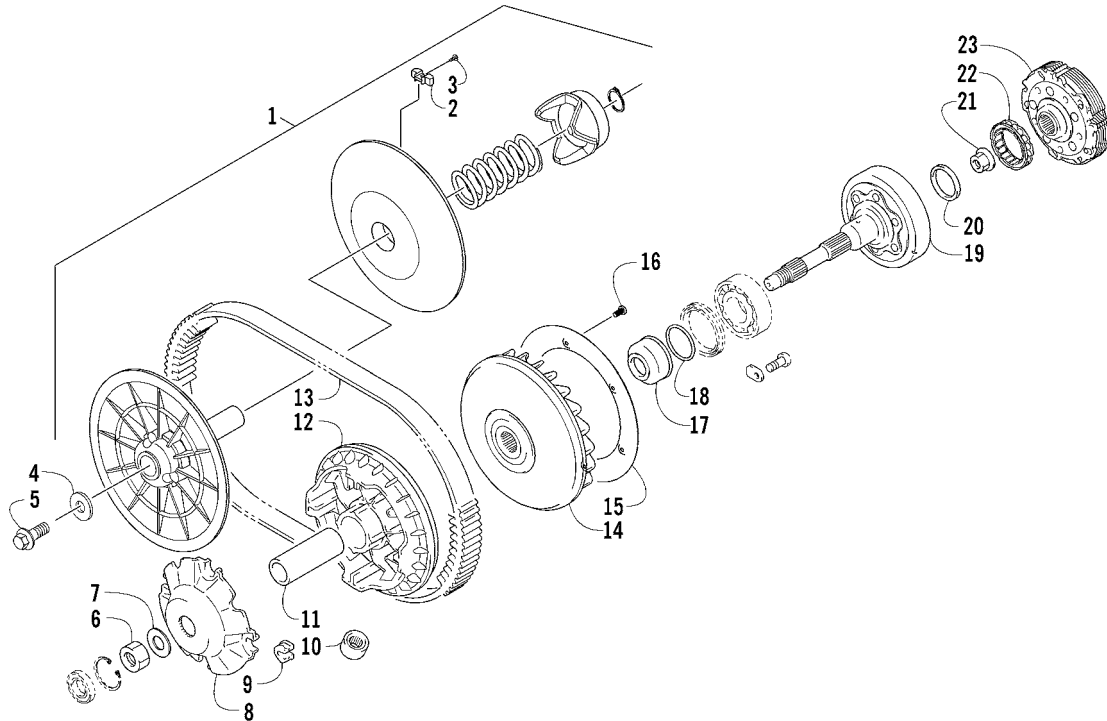
Ref	Part No.	New Qty	Description	Ref	Part No.	New Qty	Description
1	0812-023	1	Pump, Oil	9	0812-029	1	Filter, Oil
2	0812-083	1	Gear, Driven	10	0812-053	1	Cap, Oil Strainer
3	0829-009	1	Pin	11	8468-625	4	Screw, Machine
4	0828-007	1	Washer	12	0812-007	1	Valve, Oil-Relief - Assembly
5	0831-002	1	Ring, Retaining	13	0812-006	1	Plug, Drain
6	0826-039	3	Screw, Machine	14	0830-017	1	Gasket, Drain Plug
7	0812-057	1	Strainer, Oil	15	0812-008	1	Union, Filter
8	0826-040	2	Screw, Machine				



WATER PUMP ASSEMBLY

0739-945

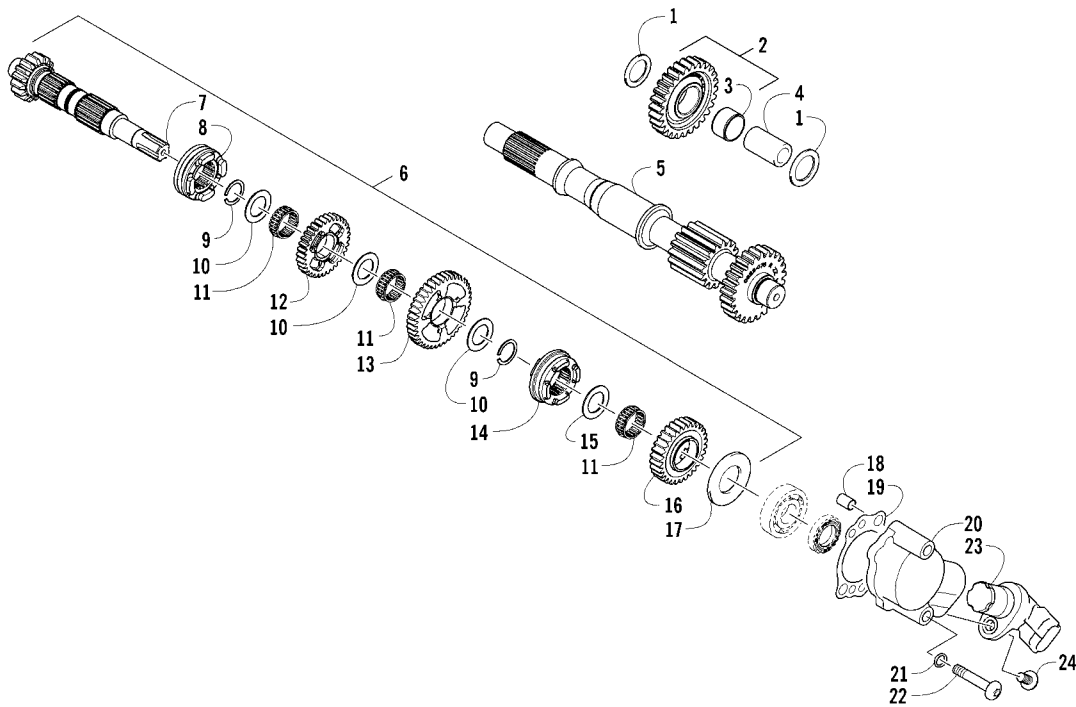
Ref	Part No.	New Qty	Description	Ref	Part No.	New Qty	Description
1	0813-001	1	Pump, Water - Assembly (inc. 2)	7	0832-046	1	Bearing, Shaft
2	0830-029	1	● O-Ring	8	0831-004	1	Ring, Retaining
3	0813-004	1	Gear, Driven	9	0811-003	1	Gear, Water Pump Drive
4	0813-005	1	Shaft, Driven Gear	10	0829-007	1	Pin, Alignment
5	0829-009	1	Pin, Driven Gear	11	0831-005	1	Ring, Retaining
6	0831-002	2	Ring, Retaining	12	8468-665	2	Screw, Machine



TRANSMISSION ASSEMBLY

0746-669

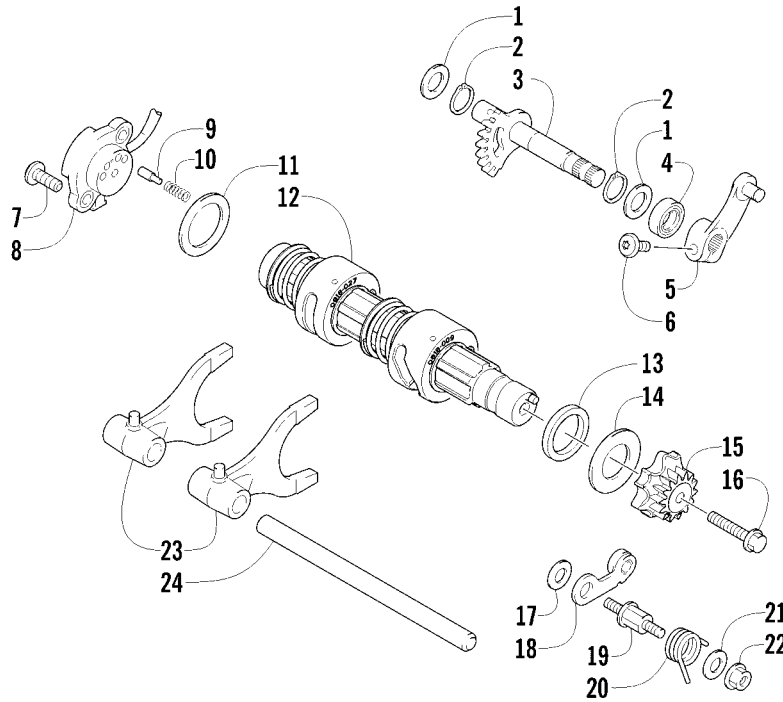
Ref	Part No.	New Qty	Description	Ref	Part No.	New Qty	Description
1	0823-353	1	Pulley, Driven - Assembly (inc. 2-3)	13	0823-013	1	Belt, Drive
2	0823-176	3	● Shoe, Cam	14	0823-272	1	Face, Fixed Drive
3	0823-177	3	● Screw, Machine	15	0823-131	1	Shroud, Drive Face
4	0623-929	1	Washer	16	0623-914	6	Screw, Self-Tapping
5	8413-241	1	Screw, Cap	17	0823-015	1	Spacer, Fixed Drive Face
6	0827-010	1	Nut	18	0470-531	1	O-Ring
7	0828-106	1	Washer	19	0821-002	1	Housing, Clutch - Assembly
8	0823-276	1	Plate, Movable Drive Face	20	0830-189	1	Seal
9	0823-277	4	Damper, Movable Drive Face	21	0827-011	1	Nut
10	0823-167	8	Roller	22	0823-018	1	Clutch, One-Way
11	0823-271	1	Spacer	23	0823-310	1	Clutch, Centrifugal - 6 Plate
12	0823-273	1	Face, Movable Drive				



SECONDARY TRANSMISSION ASSEMBLY

0746-671

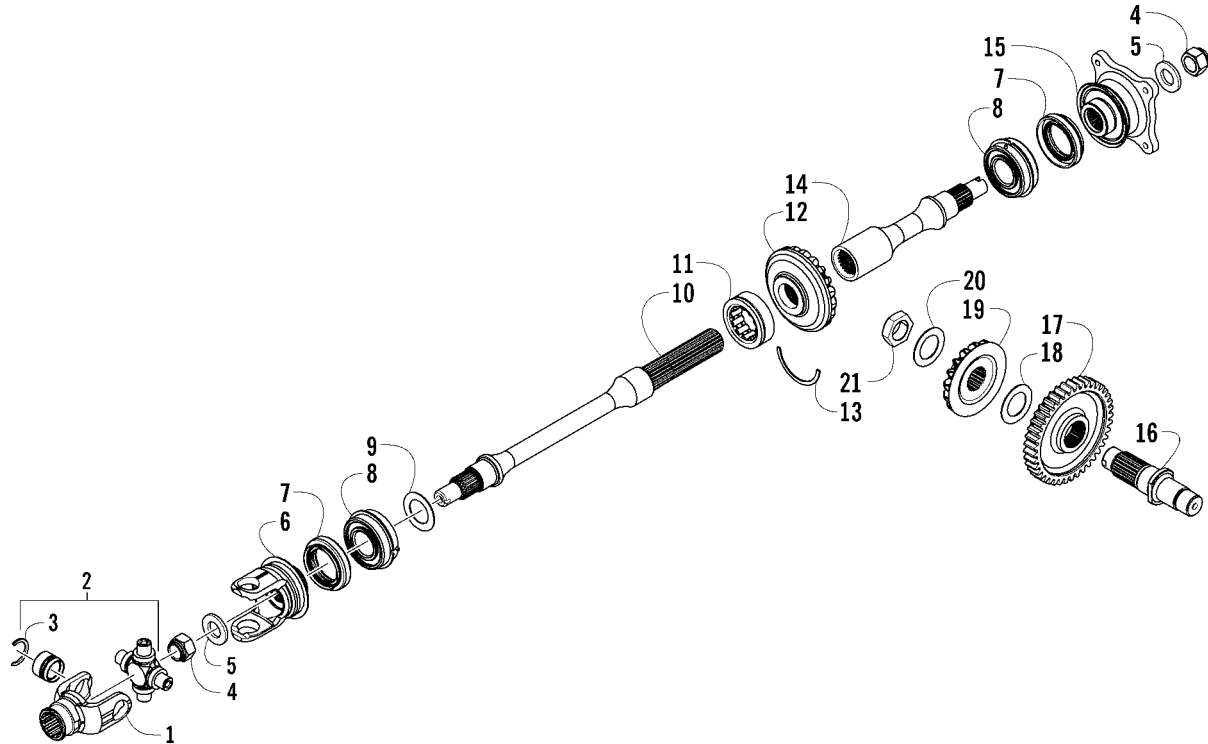
Ref	Part No.	New	Qty	Description	Ref	Part No.	New	Qty	Description
1	0828-101	X	2	Washer, Thrust	13	0822-137	X	1	● Gear, Driven - Low
2	0822-092	X	1	Gear, Reverse Idle (inc. 3)	14	0822-138	X	1	● Gear Select, Sliding
3	-		1	● Bushing - Not Serviced Individually	15	0822-075		1	● Shim
4	0822-080	X	1	Shaft, Reverse Idle	16	0822-139	X	1	● Gear, Driven - High
5	0822-076	X	1	Driveshaft	17	0829-059		1	● Washer, Thrust
6	0822-133	X	1	Countershaft Assembly (inc. 7-17)	18	0829-023		2	Pin, Dowel
7	0822-134	X	1	● Countershaft	19	0830-129		1	Gasket
8	0822-135	X	1	● Gear Select, Reverse	20	0822-130	X	1	Housing, Speedometer Sensor
9	0831-091	X	2	● Ring, Retaining	21	0830-107		2	Gasket
10	0828-099	X	3	● Washer, Spline	22	8468-645		2	Screw, Machine
11	0832-061		3	● Bearing	23	0824-042		1	Sensor, Speedometer
12	0822-136	X	1	● Gear, Reverse Driven	24	8468-620		1	Screw, Machine



GEAR SHIFTING ASSEMBLY

0745-773

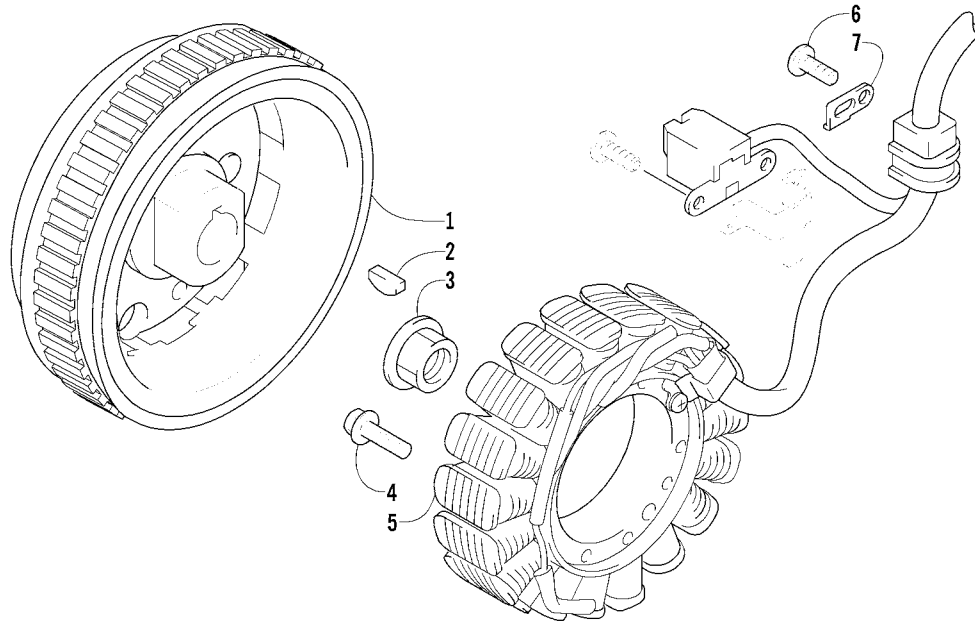
Ref	Part No.	New	Qty	Description	Ref	Part No.	New	Qty	Description
1	0828-036		2	Washer	13	0828-131		1	Spacer
2	0831-010		2	Ring, Retaining	14	0828-037		1	Washer
3	0818-007		1	Shaft, Sub-Gear Shift	15	0818-089		1	Plate, Gear Shift Cam
4	0830-044		1	Seal, Sub-Gear Shift Shaft	16	0826-006		1	Screw, Cap
5	0818-014		1	Arm, Select	17	0828-038		1	Washer
6	8468-620		1	Screw, Machine	18	0818-002		1	Stopper, Cam
7	8470-520		2	Screw, Machine	19	0818-004		1	Support, Cam Stopper
8	0409-090		1	Switch, Gear Position	20	0818-090		1	Spring
9	0818-013		2	Contact	21	0828-035		1	Washer
10	0818-017		2	Spring	22	8424-602		1	Nut
11	0828-040		1	Washer	23	0818-072		2	Fork, Shift
12	0818-075	X	1	Shaft, Gear Shift - Assembly	24	0818-006		1	Shaft, Shift Fork



SECONDARY DRIVE ASSEMBLY

0746-673

Ref	Part No.	New Qty	Description	Ref	Part No.	New Qty	Description
1	0819-063	1	Yoke, Propeller Shaft Joint	12	0822-106	1	Gear, Secondary Driven
2	1402-164	1	Joint, Universal - Set (inc. 3)	13	0819-011	1	Ring, Driven Bearing
3	0423-450	4	● Ring, Retaining	14	0819-053	1	Shaft, Secondary Driven - Rear
4	0827-013	2	Nut	15	0819-005	1	Flange, Output Joint
5	0828-020	2	Washer	16	0822-067	1	Shaft, Output
6	0819-061	1	Yoke, Drive Output	17	0822-009	1	Gear, Driven
7	0830-043	2	Seal, Oil	18	0828-030	AR	Shim, 24 x 48 x 0.25 mm
8	0832-017	2	Bearing		0828-031	AR	Shim, 24 x 48 x 0.30 mm
9	0828-021	AR	Shim, 25 x 34 x 0.25 mm		0828-032	AR	Shim, 24 x 48 x 0.35 mm
	0828-022	AR	Shim, 25 x 34 x 0.30 mm		0828-033	AR	Shim, 24 x 48 x 0.90 mm
	0828-023	AR	Shim, 25 x 34 x 0.70 mm		0828-018	AR	Shim, 24 x 48 x 0.95 mm
	0828-024	AR	Shim, 25 x 34 x 0.90 mm		0828-062	AR	Shim, 24 x 48 x 1.00 mm
	0828-025	AR	Shim, 25 x 34 x 0.95 mm		0828-063	AR	Shim, 24 x 48 x 1.05 mm
	0828-026	AR	Shim, 25 x 34 x 1.00 mm		0828-064	AR	Shim, 24 x 48 x 1.10 mm
	0828-027	AR	Shim, 25 x 34 x 1.05 mm		0828-065	AR	Shim, 24 x 48 x 1.15 mm
	0828-028	AR	Shim, 25 x 34 x 1.10 mm	19	0822-127	X	Gear, Secondary Drive
	0828-029	AR	Shim, 25 x 34 x 1.15 mm	20	0828-019	1	Washer, Thrust
10	0819-115	1	Shaft, Secondary Driven - Front	21	0827-012	1	Nut
11	0832-016	1	Bearing				



MAGNETO ASSEMBLY

0746-613

Ref	Part No.	New Qty	Description	Ref	Part No.	New Qty	Description
1	0802-048	1	Rotor/Flywheel	5	0802-041	1	Stator - Assembly
2	0829-012	1	Key	6	8470-510	1	Screw, Machine
3	0827-014	1	Nut	7	0802-015	1	Clamp - No. 1
4	8409-632	3	Screw, Cap				

