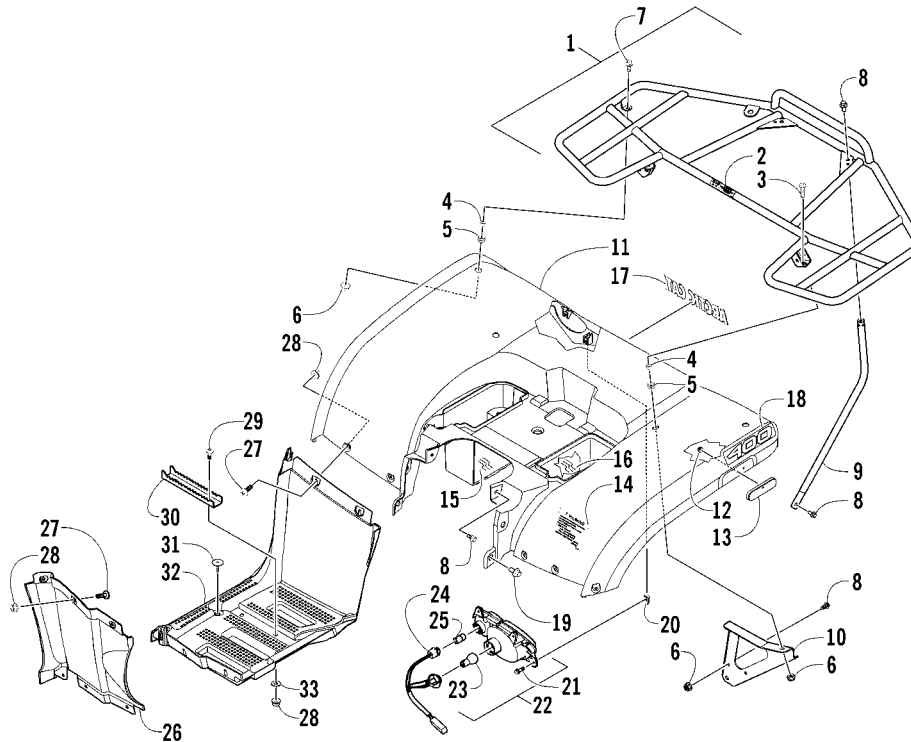


FRONT RACK, BODY PANEL, AND HEADLIGHT ASSEMBLIES

0747-227

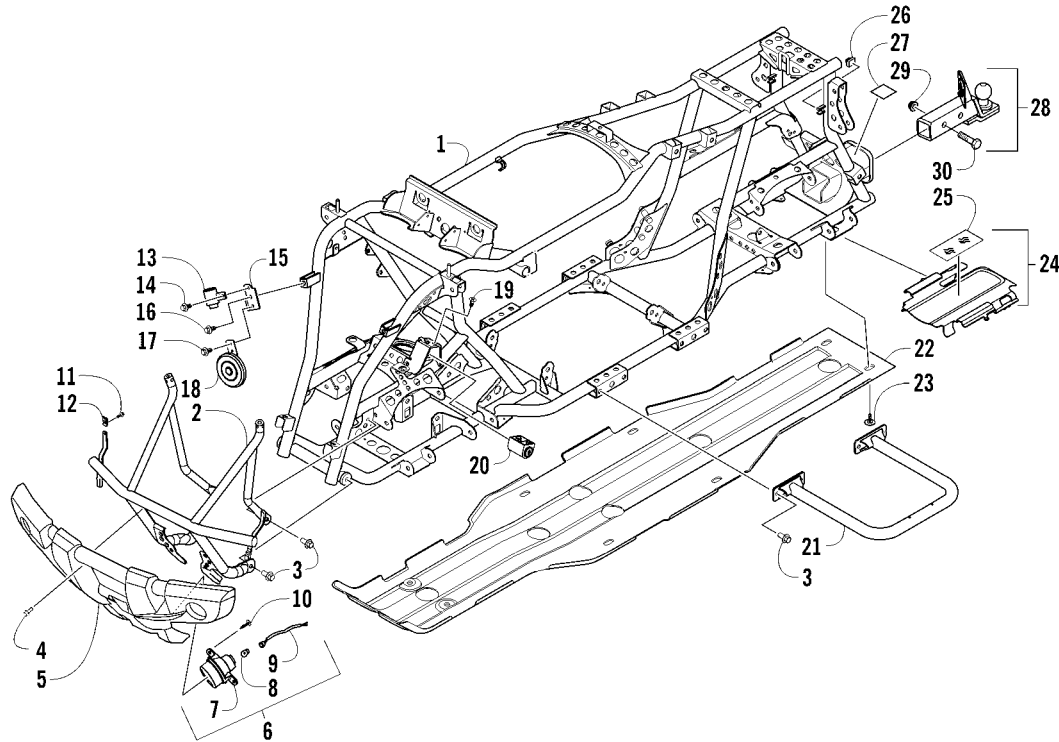
Ref	Part No.	New Qty	Description	Ref	Part No.	New Qty	Description
1	3306-330	1	Rack, Front - Assembly (inc. 2)	20	0423-678	10	Grommet
2	1411-681	1	● Decal, Warning - Load	21	3313-753	1	Panel, Side - Lower - Left
3	3313-713	2	Screw, Cap	22	3306-404	1	Cover, Access - Black
4	3313-522	2	Screw, Cap	23	3303-592	4	Clip, Retaining
5	0423-669	4	Spacer	24	3306-397	1	Cover, Gas Tank - Green
6	0423-465	4	Grommet	25	3304-057	2	Clip, Retaining
7	3304-668	4	Nut, Lock	26	3313-756	1	Panel, Splash - Front Right
8	3313-469	1	Tube, Mounting	27	3313-861	1	Panel, Splash - Front Left
9	3306-268	1	Headlight - Assembly - Right (inc. 10-13)	28	3313-754	1	Shield, Linkage
	3306-269	1	Headlight - Assembly - Left (inc. 10-13)	29	3304-650	3	Screw, Self-Tapping
10	3306-270	1	● Lens, Headlight - Right	30	3306-400	1	Panel, Fender - Front - Green
	3306-271	1	● Lens, Headlight - Left	31	3304-774	2	Nut, Lock
11	3303-847	2	● Bulb	32	3313-359	2	Reflector - Amber
12	3303-846	2	● Bulb, Headlight	33	1411-250	1	Decal, Warning - Reverse/Pre-Ride
13	3306-272	2	● Socket, Headlight - Assembly	34	0411-835	1	Decal, Warning - Turn/Hill
14	3304-061	4	Clip, U-Nut	35	1411-804	1	Decal, Warning - Age
15	3304-029	4	Screw, Cap	36	3304-806	1	Decal, Warning - General
16	3304-157	2	Clamp, Routing	37	2411-465	1	Decal, "Arctic Cat"
17	3304-586	2	Screw, Cap	38	3411-034	X	Decal, Side - Upper Right
18	3303-267	2	Clip, U-Nut		3411-035	X	Decal, Side - Upper Left
19	3313-752	1	Panel, Side - Lower - Right		3305-783	2	Screw, Cap



REAR BODY, RACK, AND TAILLIGHT ASSEMBLY

0747-248

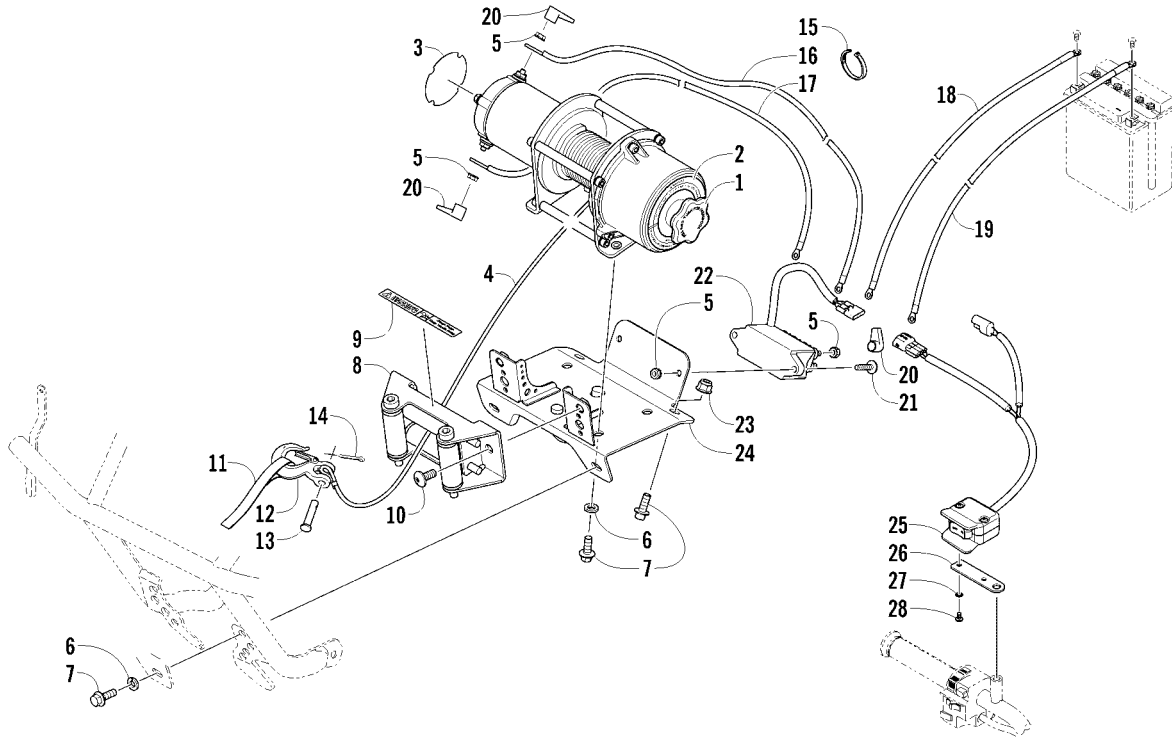
Ref	Part No.	New	Qty	Description	Ref	Part No.	New	Qty	Description
1	3313-759	X	1	Rack, Rear - Assembly (inc. 2)	19	3305-783		2	Screw, Cap
2	1411-682		1	● Decal, Warning - Load	20	3304-061		8	Clip, U-Nut
3	8410-830		2	Screw, Cap	21	3304-029		8	Screw, Cap
4	0423-669		4	Spacer	22	3313-392		1	Taillight Assembly - Right (inc. 23-25)
5	0423-465		4	Grommet		3313-393		1	Taillight Assembly - Left (inc. 23-25)
6	3304-668		8	Nut, Lock	23	3313-506		2	● Bulb
7	3313-522		2	Screw, Cap	24	3313-509		1	● Socket, Taillight - Assembly - Right
8	3304-543		8	Screw, Cap		3313-507		1	● Socket, Taillight - Assembly - Left
9	3313-449		2	Tube, Mounting	25	3303-849		2	● Bulb, Taillight
10	3313-352		1	Bracket, Mounting - Rear Rack - Right	26	3313-760		1	Footwell - Front - Right
	3313-353		1	Bracket, Mounting - Rear Rack - Left		3313-761		1	Footwell - Front - Left
11	3306-410		1	Panel, Fender - Rear - Green	27	3305-703		18	Screw, Machine
12	3304-774		2	Nut, Lock	28	3304-431		22	Nut, Lock
13	3313-359		2	Reflector - Amber	29	3304-586		4	Screw, Cap
14	1411-893		1	Decal, Warning - Tire Pressure	30	1506-125		2	Footpeg
15	3313-674		1	Foil, Protective - Right	31	0423-545		2	Screw, Shoulder
16	3313-675		1	Foil, Protective - Left	32	3313-762		1	Footwell - Rear - Right
17	2411-465		1	Decal, "Arctic Cat"		3313-763		1	Footwell - Rear - Left
18	3411-072	X	2	Decal, "400"	33	3305-852		4	Washer



FRAME AND RELATED PARTS

0745-891

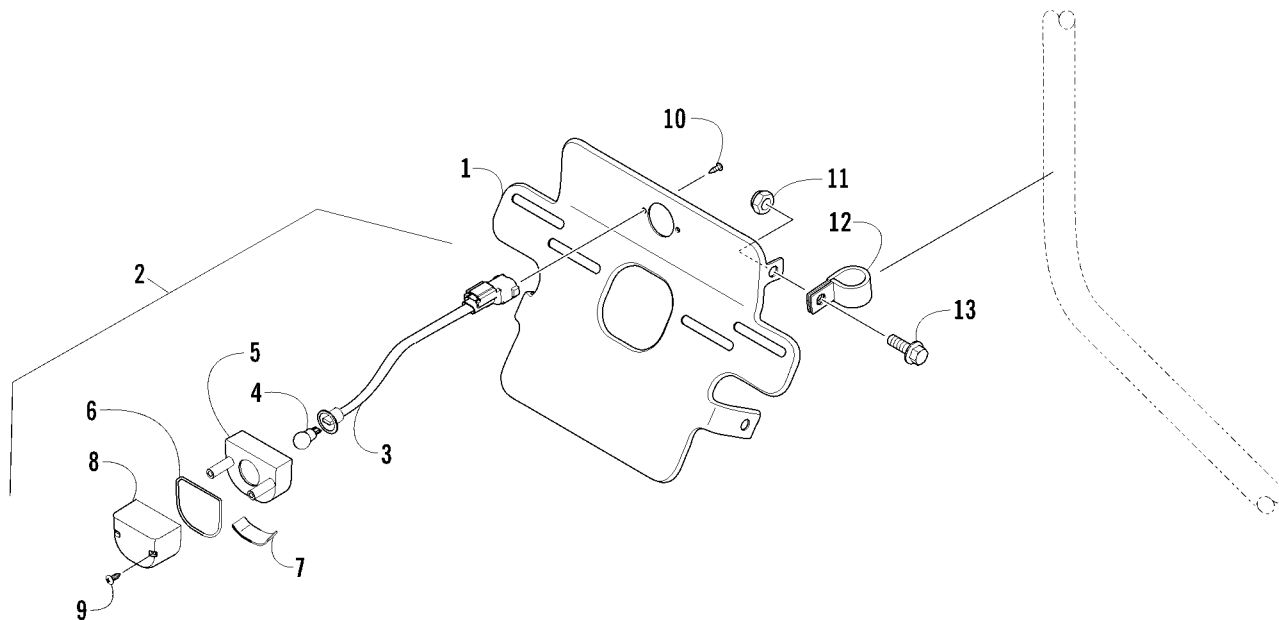
Ref	Part No.	New Qty	Description	Ref	Part No.	New Qty	Description
1	3306-424	1	Frame, Main	15	3313-577	1	Bracket, Mounting - Electrical
2	3306-332	1	Bumper - Front	16	3304-544	1	Screw, Cap
3	3304-543	12	Screw, Cap	17	3304-553	1	Screw, Cap
4	3304-587	4	Screw, Cap	18	3313-576	1	Horn, Electric - 12V
5	3306-352	1	Fascia, Bumper	19	3305-395	2	Screw, Machine
6	3304-766	1	Turn Signal - Right - Assembly (inc. 7-9)	20	3305-392	1	Lock, Steering
	3304-813	1	Turn Signal - Left - Assembly (inc. 7-9)	21	3313-351	2	Footrest
7	3304-822	1	● Lens - Right	22	3313-755	1	Panel, Belly
	3304-823	1	● Lens - Left	23	0423-545	10	Screw, Shoulder
8	3304-825	2	● Bulb	24	3313-596	1	Shield, Gearcase (inc. 25)
9	3305-359	1	● Harness - Right	25	3306-582	1	● Foil, Protective
	3305-360	1	● Harness - Left	26	3306-329	2	Cushion
10	3304-645	4	Screw, Self-Tapping	27	1411-077	1	Decal, Warning - Towing
11	3304-586	2	Screw, Cap	28	0541-857	1	Mount, Ball Hitch (inc. 29-30)
12	3303-267	2	Clip, U-Nut	29	0423-690	1	● Nut, Lock
13	3306-372	1	Relay, Turn Signal	30	0423-693	1	● Screw, Cap
14	3305-344	1	Screw, Cap				



WINCH ASSEMBLY

0746-067

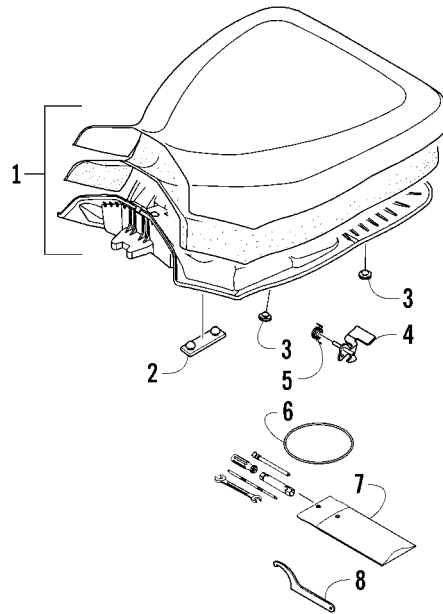
Ref	Part No.	New	Qty	Description	Ref	Part No.	New	Qty	Description
1	1441-830		1	Winch (inc. 2-4 and two No. 5)	0123-903		AR		Tie, Cable - 11.5 in.
2	2411-141		1	● Decal, Warning - Tension	16	0445-072		1	Cable, Winch/Solenoid - Yellow
3	2411-140		1	● Decal, Warning - Operation	17	0445-073		1	Cable, Winch/Solenoid - Blue
4	1441-831		1	● Cable, Winch	18	0445-075		1	Cable, Solenoid/Battery - Red
5	0623-038		8	● Nut w/Washer	19	0445-074		1	Cable, Solenoid/Battery - Black
6	8051-246		6	Washer, Lock	20	0645-019		3	Boot, Terminal
7	8408-820		8	Screw, Cap	21	8476-625		2	Screw, Machine
8	0441-403		1	Roller, Winch (inc. 9)	22	0409-066		1	Solenoid
9	0411-474		1	● Decal, Warning - Pinch Point	23	8427-802		2	Nut, Lock
10	8468-820		2	Screw, Machine	24	0541-622		1	Plate, Mounting - Winch
11	1441-781		1	Strap	25	3306-644		1	Switch, Winch - Assembly
12	1441-833		1	Hook, Winch	26	0505-551		1	Bracket, Winch Switch
13	1441-834		1	Pin	27	8052-093		2	Washer, Internal Tooth Lock
14	0623-175		1	Pin, Cotter	28	8009-243		2	Screw, Machine
15	0123-788		AR	Tie, Cable - 8 in.					



LICENSE PLATE HOLDER ASSEMBLY

0744-570

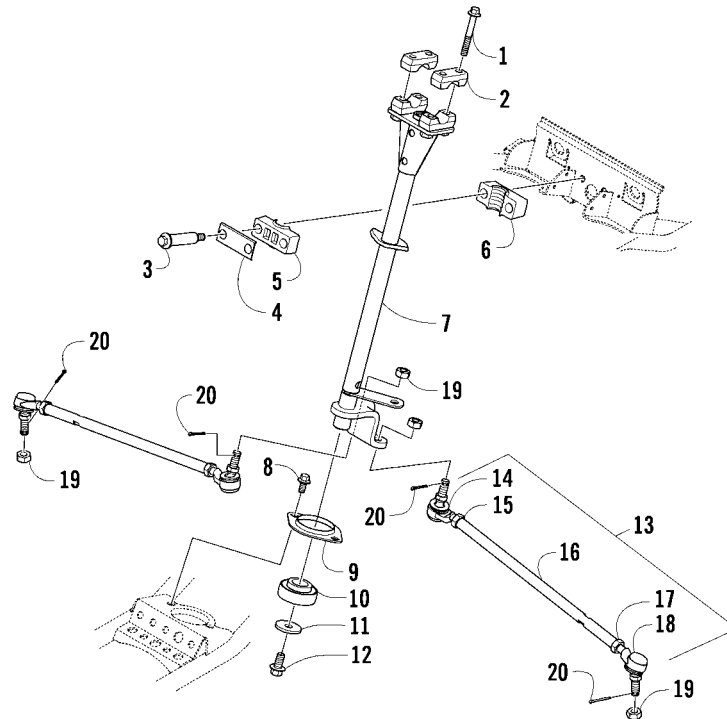
Ref	Part No.	New Qty	Description	Ref	Part No.	New Qty	Description
1	2506-808	1	Holder, License Plate	8	3305-365	1	● Cover
2	3304-772	1	Light Assembly (inc. 3-9)	9	3305-399	2	● Screw, Self-Tapping
3	3305-369	1	● Harness	10	3304-651	2	Screw, Self-Tapping
4	3303-847	1	● Bulb	11	3304-668	4	Nut, Lock
5	3305-367	1	● Base	12	3313-606	4	Clamp
6	3305-366	1	● Seal	13	3304-543	4	Screw, Cap
7	3305-368	1	● Lens				



SEAT ASSEMBLY

0746-216

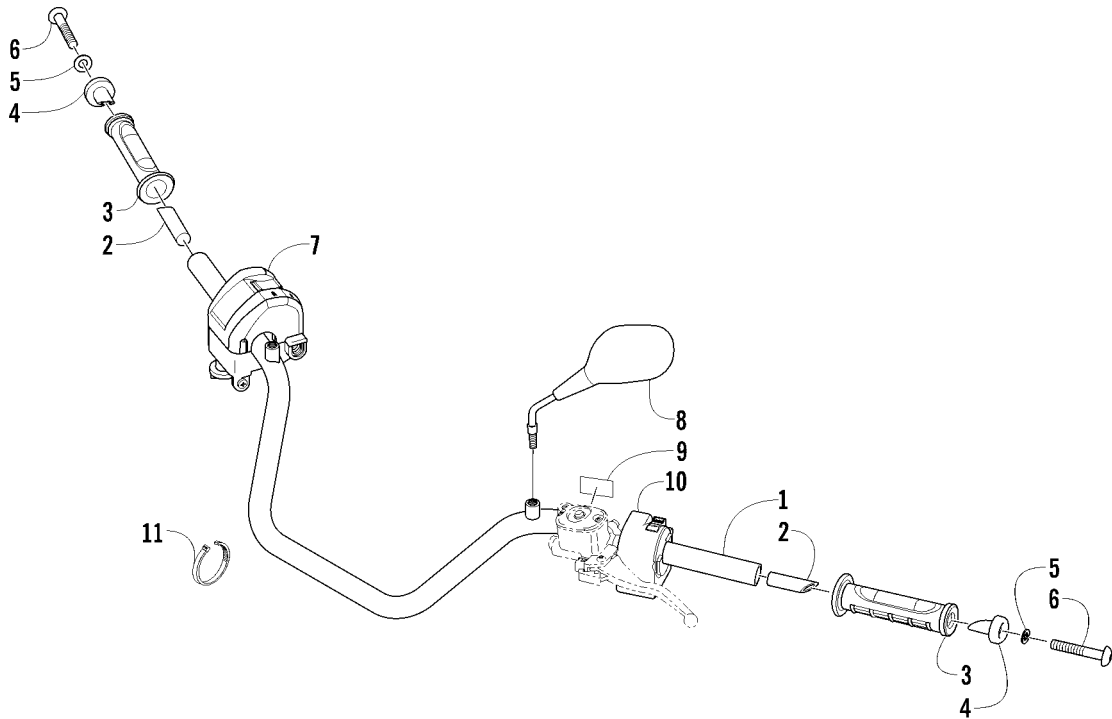
Ref	Part No.	New Qty	Description	Ref	Part No.	New Qty	Description
1	3313-199	1	Seat Assembly (inc. 2-5)	5	1406-592	1	● Spring, Seat Latch
2	3306-673	1	● Bumper, Seat	6	3313-759	1	Retainer, Tool Kit
3	3306-458	6	● Bumper, Seat	7	3305-913	1	Kit, Tool
4	1506-156	1	● Latch, Seat	8	1441-797	1	Wrench, Spanner - Optional



STEERING ASSEMBLY

0744-573

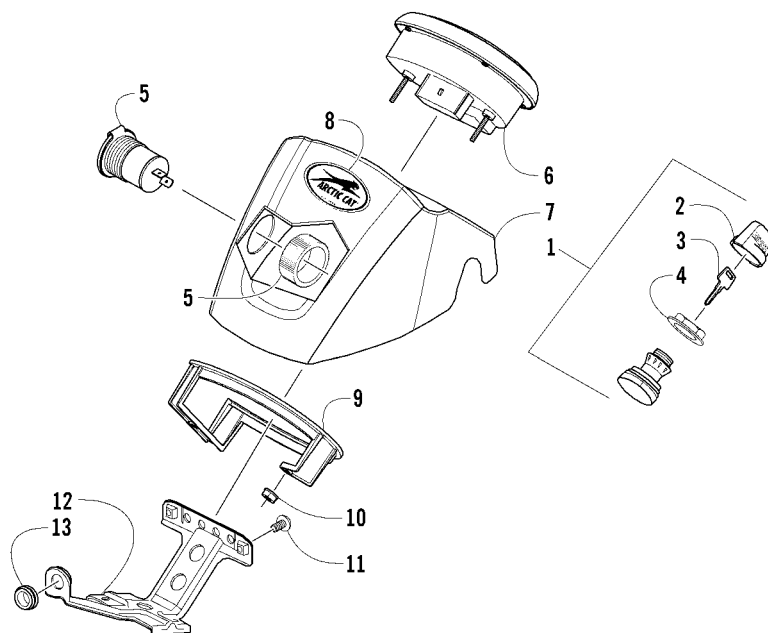
Ref	Part No.	New Qty	Description	Ref	Part No.	New Qty	Description
1	8408-860	4	Screw, Cap	11	0423-073	1	Washer
2	0405-035	2	Cap, Steering Adjuster	12	8408-820	1	Screw, Cap
3	0423-505	2	Screw, Shoulder	13	3306-722	2	Tie Rod - Assembly (inc. 14-18)
4	0405-166	1	Cap, Housing	14	3306-725	2	● End, Tie Rod - Left-Hand Thread
5	3323-052	1	Housing - Upper	15	3306-727	2	● Nut - Left-Hand Thread
6	3323-051	1	Housing - Lower	16	3306-723	2	● Tie Rod
7	3313-583	1	Post, Steering	17	3306-726	2	● Nut - Right-Hand Thread
8	3304-565	2	Screw, Cap	18	3306-724	2	● End, Tie Rod - Right-Hand Thread
9	0602-233	1	Flange, Bearing	19	3306-290	4	Nut
10	0405-052	1	Bearing w/Inverted Oil Seal	20	3305-724	4	Pin, Cotter



HANDLEBAR ASSEMBLY

0746-068

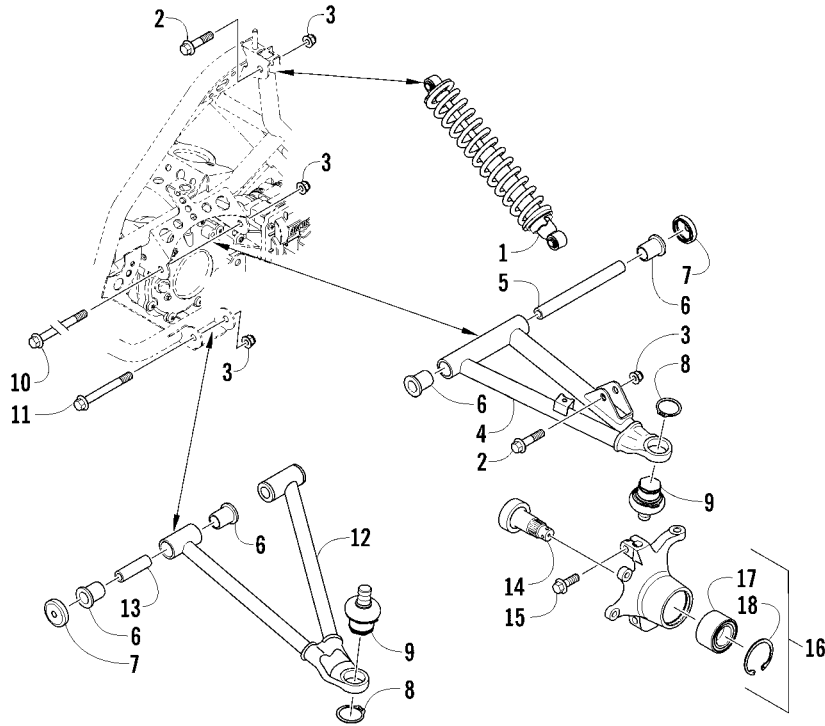
Ref	Part No.	New Qty	Description	Ref	Part No.	New Qty	Description
1	3313-859	1	Handlebar	7	3303-953	1	Case, Throttle - Assembly
2	0405-148	2	Plug, Handlebar	8	3304-803	1	Mirror Assembly - Right
3	0405-147	2	Grip, Handlebar		3304-816	1	Mirror Assembly - Left
4	0405-149	2	End Cap, Handlebar	9	1411-865	1	Decal, Brake Lever Lock
5	8050-247	2	Washer	10	3313-581	1	Switch, Control - Assembly
6	8477-845	2	Screw, Machine	11	3303-839	AR	Tie, Cable



INSTRUMENT POD ASSEMBLY

0747-097

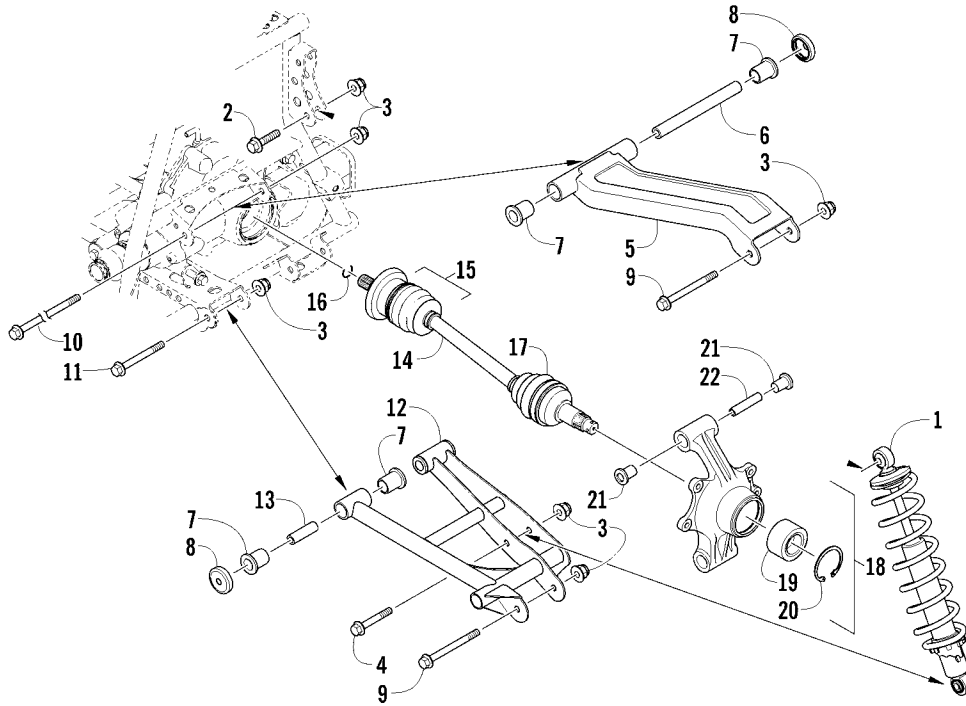
Ref	Part No.	New Qty	Description	Ref	Part No.	New Qty	Description
1	3313-677	1	Switch, Ignition - Assembly (inc. 2-4)	8	9611-752	X 1	Decal, "Arctic Cat"
2	0430-054	1	● Cover, Key	9	0420-065	1	Bracket, Retaining
3	3409-007	2	● Key, Ignition - Blank - C Series	10	0423-493	2	Nut w/Washer
4	0430-050	1	● Nut, Flange - Ignition Switch	11	3304-404	2	Screw, Cap
5	3313-468	1	Outlet, Accessory - 12V	12	3306-277	1	Bracket, Mounting - Pod (inc. 13)
6	0520-160	1	Speedometer - Assembly	13	3303-239	1	● Grommet
7	3306-278	1	Pod, Instrument - Black				



FRONT SUSPENSION ASSEMBLY

0745-302

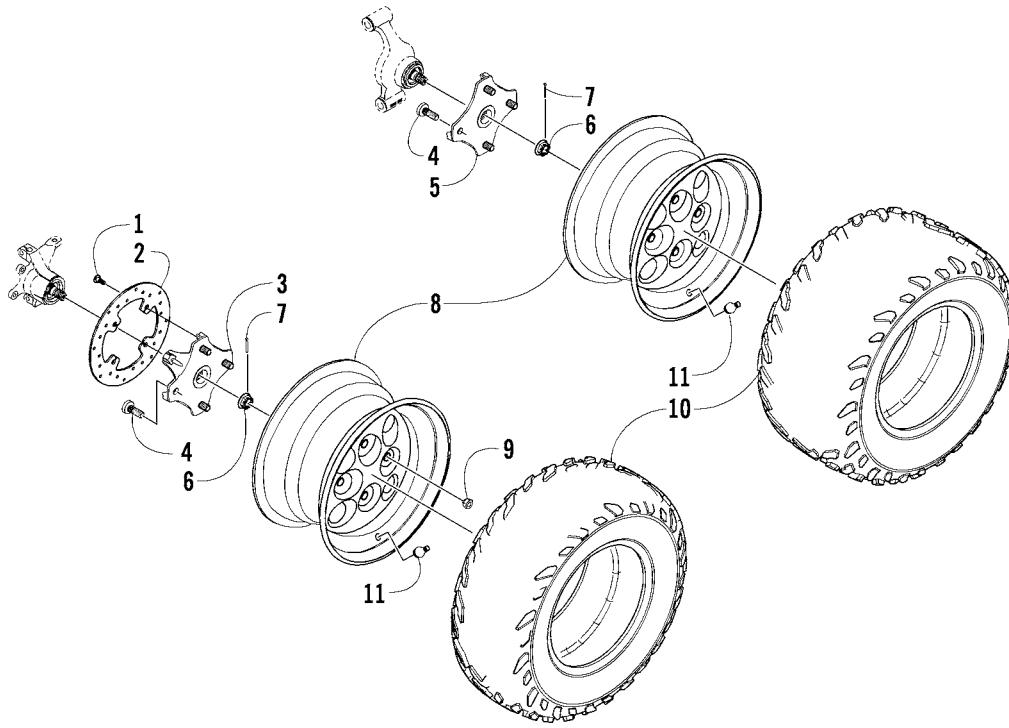
Ref	Part No.	New Qty	Description	Ref	Part No.	New Qty	Description
1	3313-330	2	Shock/Spring Assembly - Platinum	12	3313-080	1	A-Arm, Lower Right - Platinum (inc. 6-9 and 13)
2	3303-376	4	Screw, Cap		3313-081	1	A-Arm, Lower Left - Platinum (inc. 6-9 and 13)
3	3304-031	10	Nut, Lock	13	3313-107	4	● Axle
4	3306-416	1	A-Arm, Upper Right - Platinum (inc. 5-9)	14	3313-656	2	Stub-Shaft
	3306-417	1	A-Arm, Upper Left - Platinum (inc. 5-9)	15	3323-127	4	Screw, Cap
5	3313-111	2	● Axle	16	3323-130	1	Knuckle - Assembly - Right (inc. 17-18)
6	3313-112	12	● Bushing		3323-131	1	Knuckle - Assembly - Left (inc. 17-18)
7	3313-113	12	● Seal	17	1402-809	2	● Bearing
8	0423-009	4	● Ring, Retaining	18	0423-423	2	● Ring, Retaining
9	0405-483	4	● Ball Joint				
10	3313-430	2	Screw, Cap				
11	3304-183	4	Screw, Cap				



REAR SUSPENSION ASSEMBLY

0745-291

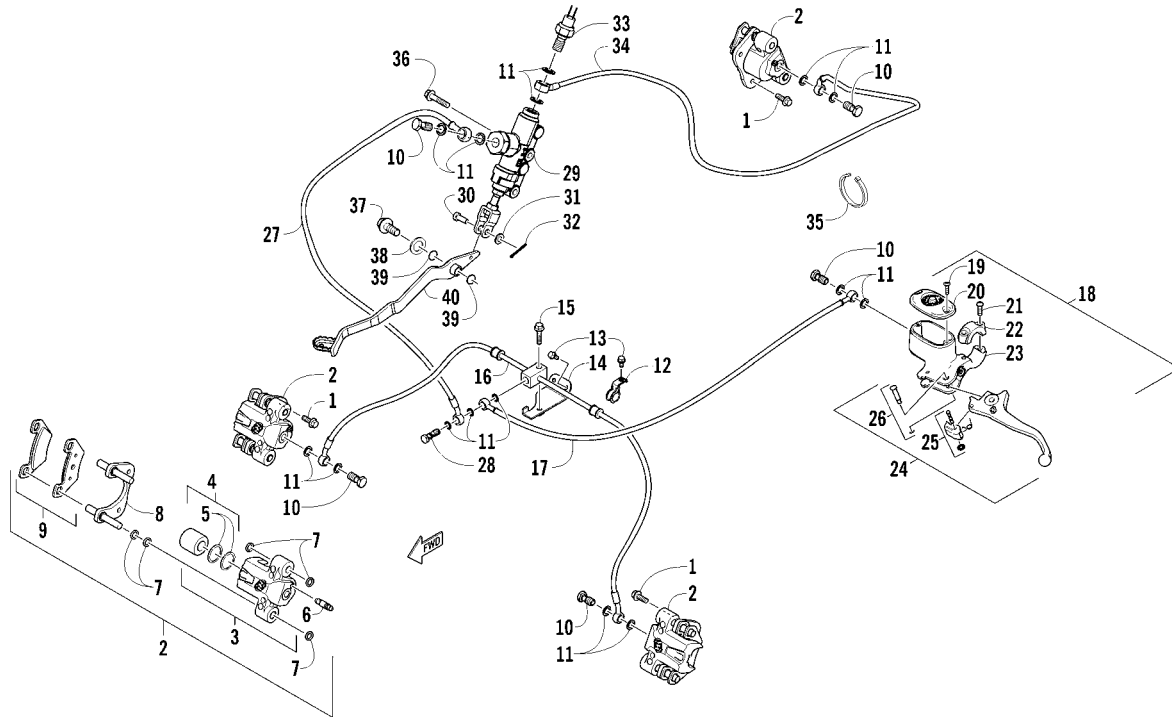
Ref	Part No.	New Qty	Description	Ref	Part No.	New Qty	Description
1	3313-541	2	Shock/Spring Assembly - Platinum	13	3313-107	4	● Axle
2	3303-376	2	Screw, Cap	14	3313-832	2	Axle, Drive (inc. 15-17)
3	3304-031	14	Nut, Lock	15	3313-560	2	● Repair Kit, Boot - Drive Axle - Inbound
4	8409-065	2	Screw, Cap	16	0423-845	2	●● Ring, Retaining
5	3306-414	1	A-Arm, Upper Right - Platinum (inc. 6-8)	17	3313-558	2	● Repair Kit, Boot - Drive Axle - Outbound
	3306-415	1	A-Arm, Upper Left - Platinum (inc. 6-8)	18	3323-108	1	Knuckle - Assembly - Right (inc. 19-22)
6	3313-111	2	● Axle		3323-109	1	Knuckle - Assembly - Left (inc. 19-22)
7	3313-112	12	● Bushing	19	1402-809	2	● Bearing
8	3313-113	12	● Seal	20	0423-423	2	● Ring, Retaining
9	3323-188	4	Screw, Cap	21	0403-206	8	● Bushing
10	3313-430	2	Screw, Cap	22	0403-213	4	● Axle
11	3304-183	4	Screw, Cap				
12	3313-134	1	A-Arm, Lower Right - Platinum (inc. 7-8 and 13)				
	3313-135	1	A-Arm, Lower Left - Platinum (inc. 7-8 and 13)				



WHEEL AND TIRE ASSEMBLY

0742-948

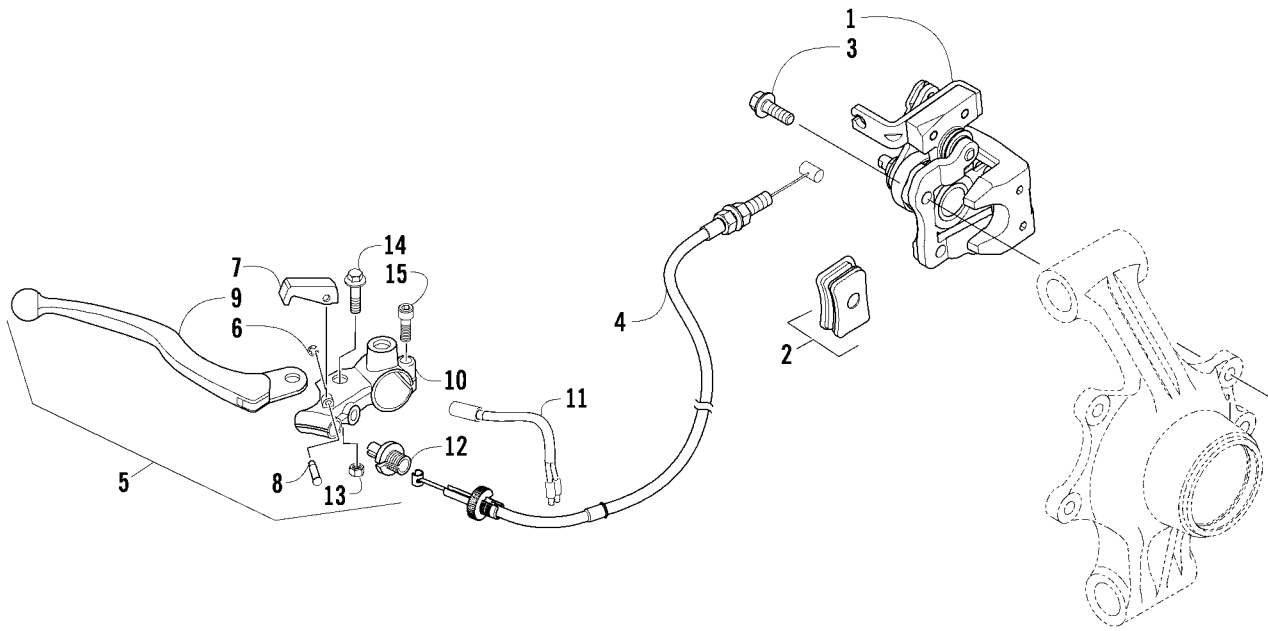
Ref	Part No.	New	Qty	Description	Ref	Part No.	New	Qty	Description
1	0423-557		12	Screw, Shoulder	7	0423-407		4	Pin, Cotter
2	1436-806	X	3	Disc, Brake	8	3306-756		4	Wheel - Platinum
3	1502-462		2	Hub, Wheel - Front (inc. 4)	9	0423-408		16	Nut, Lug
4	0402-974		16	● Stud	10	3306-419		2	Tire - Front
5	1502-462		1	Hub, Wheel - Right Rear (inc. 4)		3306-420		2	Tire - Rear
	1502-464		1	Hub, Wheel - Left Rear (inc. 4)	11	3303-887		4	Stem, Valve
6	0423-607		4	Nut, Castle					



HYDRAULIC BRAKE ASSEMBLY

0745-303

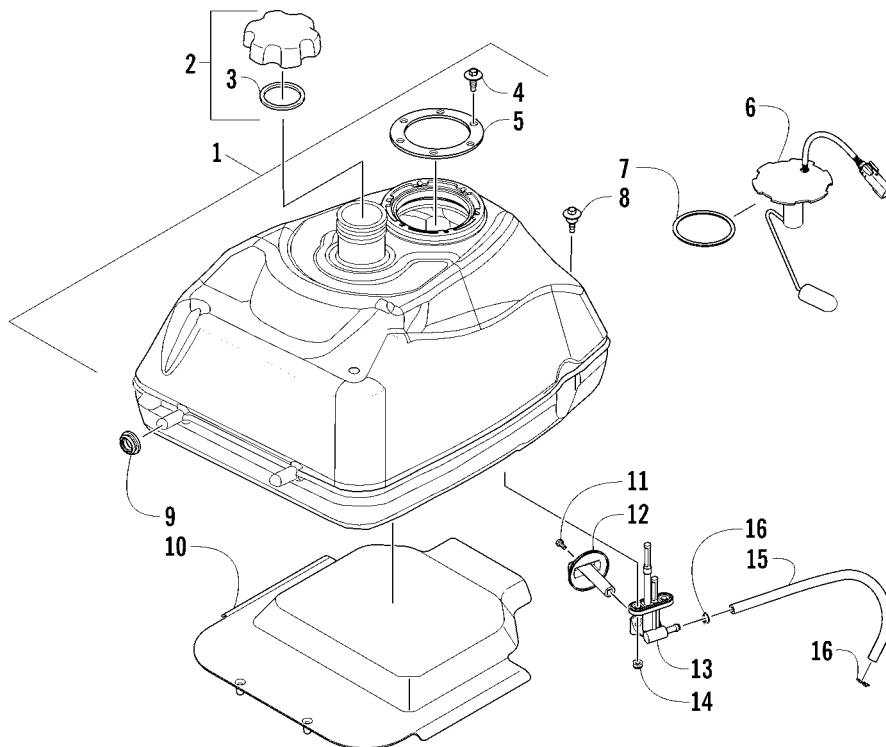
Ref	Part No.	New Qty	Description	Ref	Part No.	New Qty	Description
1	3305-785	6	Screw, Cap	17	3313-647	1	Hose, Brake
2	3323-230	1	Caliper, Brake - Right Front (inc. 3-9)	18	3313-316	1	Brake Assembly (inc. 19-26)
	3323-231	1	Caliper, Brake - Left Front (inc. 3-9)	19	0502-566	1	● Screw, Machine - Kit
	3323-231	1	Caliper, Brake - Rear (inc. 3-9)	20	0502-868	1	● Cover, Reservoir
3	1436-160	1	● Housing, Caliper - Assembly - Right Front (inc. 4-6)	21	0502-568	1	● Screw, Machine - Kit
	1436-161	1	● Housing, Caliper - Assembly - Left Front (inc. 4-6)	22	0502-869	1	● Clamp, Master Cylinder
	1436-161	1	● Housing, Caliper - Assembly - Rear (inc. 4-6)	23	0502-704	1	● Master Cylinder Assembly
4	0502-606	3	●● Piston/Seal Set (inc. 5)	24	0502-866	1	● Lever Assembly - Kit (inc. 25-26)
5	0502-607	3	●●● Seal Set	25	0502-867	1	●● Lock, Brake Lever - Kit
6	0502-609	3	●● Valve, Bleed	26	0502-580	1	●● Lever Pin - Kit
7	0502-608	3	● O-Ring, Guide - Set	27	3313-682	1	Hose, Brake
8	0502-605	3	● Bracket Assembly	28	3304-674	1	Bolt, Banjo-Fitting - Double
9	1502-694	3	● Pad, Brake - Set	29	3306-370	1	Brake Assembly
10	3303-257	5	Bolt, Banjo-Fitting	30	3306-152	1	Pin, Clevis
11	3303-284	15	Washer, Crush	31	3304-050	1	Washer
12	3303-919	2	Clamp, Brake Hose	32	3304-141	1	Pin, Cotter
13	3304-553	3	Screw, Cap	33	3313-680	1	Switch, Brake
14	3313-523	1	Bracket, Mounting - Brake Hose Assembly	34	3313-681	1	Hose, Brake
15	3305-789	1	Screw, Cap	35	0123-788	AR	Tie, Cable - 8 in.
16	3313-750	1	Hose, Brake - Assembly	36	3303-383	2	Screw, Cap
				37	3304-543	1	Screw, Cap
				38	8050-252	1	Washer
				39	1602-213	2	O-Ring
				40	3313-156	1	Pedal, Brake



PARKING BRAKE ASSEMBLY

0744-579

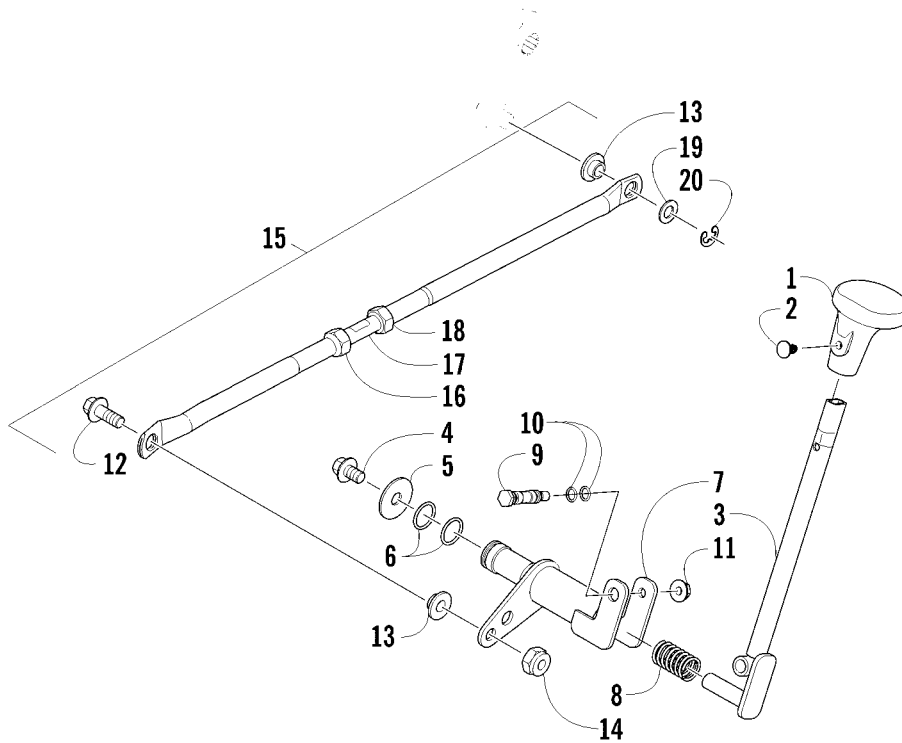
Ref	Part No.	New Qty	Description	Ref	Part No.	New Qty	Description
1	3306-356	1	Caliper (inc. 2)	9	3313-686	1	● Lever, Brake
2	3305-788	1	● Pad, Brake - Set	10	3313-687	1	● Housing, Brake Lever
3	3305-784	2	Screw, Cap	11	3313-860	1	● Switch, Brake
4	3306-351	1	Cable	12	3303-271	1	● Adjuster, Cable
5	3313-650	1	Handle, Brake - Assembly (inc. 6-15)	13	3303-262	1	● Nut
6	3313-691	1	● E-Ring	14	3305-914	1	● Screw, Shoulder
7	3313-689	1	● Lock, Brake Lever	15	3303-397	1	● Screw, Cap
8	3313-690	1	● Pin				



GAS TANK ASSEMBLY

0745-841

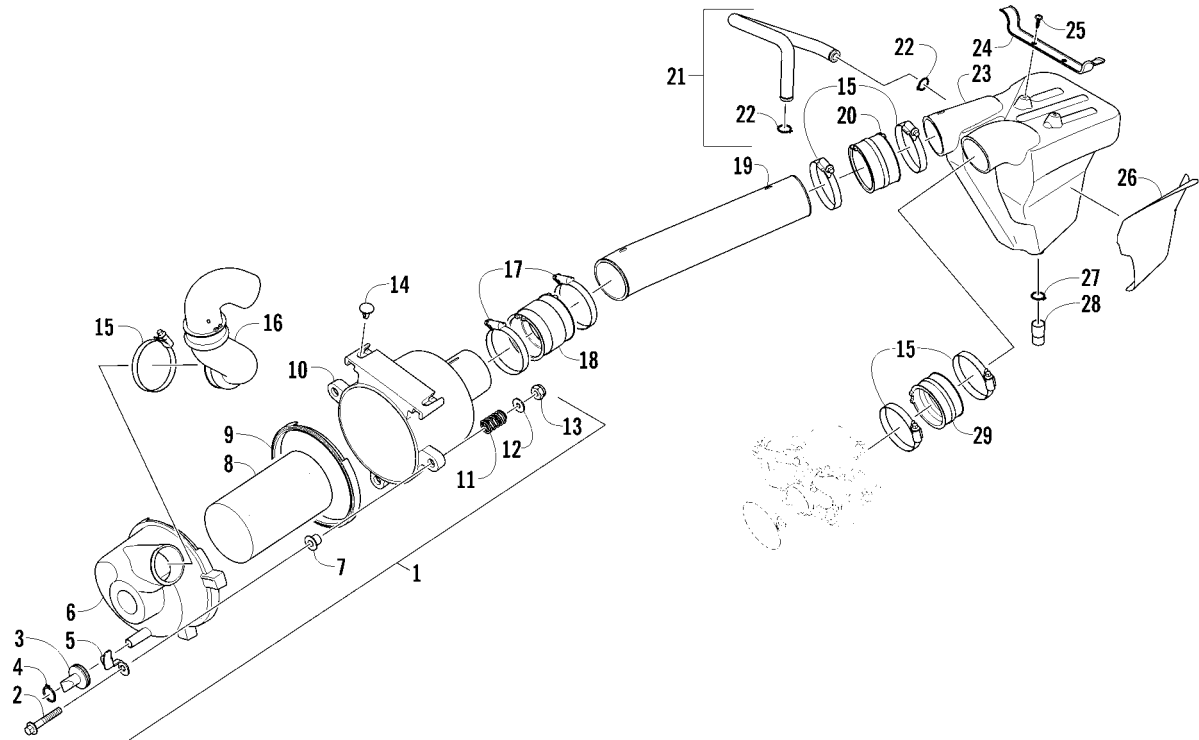
Ref	Part No.	New Qty	Description	Ref	Part No.	New Qty	Description
1	3306-241	1	Tank, Gas - Assembly	9	0423-460	2	Grommet
2	3306-297	1	Cap, Gas Tank (inc. 3)	10	3313-833	1	Shield, Heat
3	3306-298	1	● Gasket, Gas Tank Cap	11	0423-146	1	Screw, Machine
4	3306-300	6	Screw, Self-Tapping	12	3313-287	1	Knob, Gas Tank Valve
5	3306-299	1	Plate, Retaining	13	3313-325	1	Valve, Gas Tank
6	3313-852	1	Pump, Fuel - Assembly	14	3304-431	2	Nut, Lock
7	3313-845	1	Seal	15	3313-685	1	Hose, Gasline (inc. 16)
8	0423-732	1	Screw, Shoulder	16	3313-684	2	● Clamp, Hose



SHIFT LEVER ASSEMBLY

0745-758

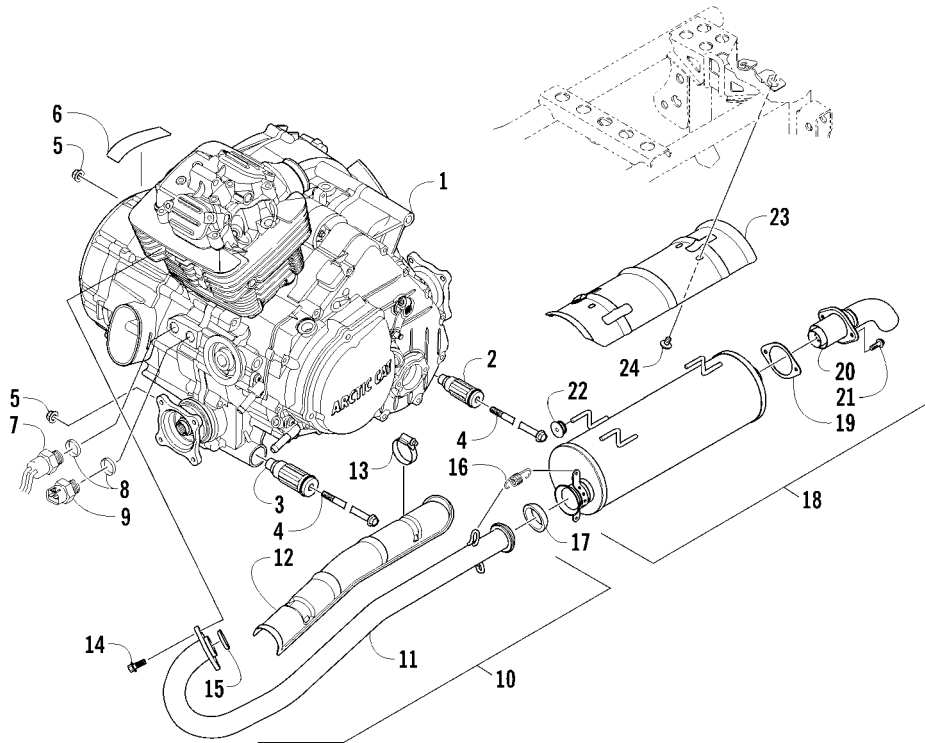
Ref	Part No.	New Qty	Description	Ref	Part No.	New Qty	Description
1	0402-843	1	Knob, Shift Lever	11	3304-654	1	Nut, Lock
2	0423-345	1	Clip, Retaining	12	3313-821	1	Screw, Cap
3	3313-317	1	Lever, Shift	13	3323-037	2	Bushing
4	3304-544	1	Screw, Cap	14	3305-396	1	Nut, Lock
5	0423-087	1	Washer	15	3306-319	1	Linkage, Shift - Assembly (inc. 16-18)
6	0423-299	2	O-Ring	16	3303-327	1	● Nut, Hex - Right-Hand Thread
7	3306-317	1	Actuator, Shift	17	3313-278	1	● Adjuster, Shift Linkage
8	0402-678	1	Spring, Shift Lever	18	3313-822	1	● Nut, Hex - Left-Hand Thread
9	0402-675	1	Axle, Pivot	19	3304-138	1	Washer
10	0423-182	2	O-Ring	20	3313-766	1	E-Ring



AIR INTAKE ASSEMBLY

0745-844

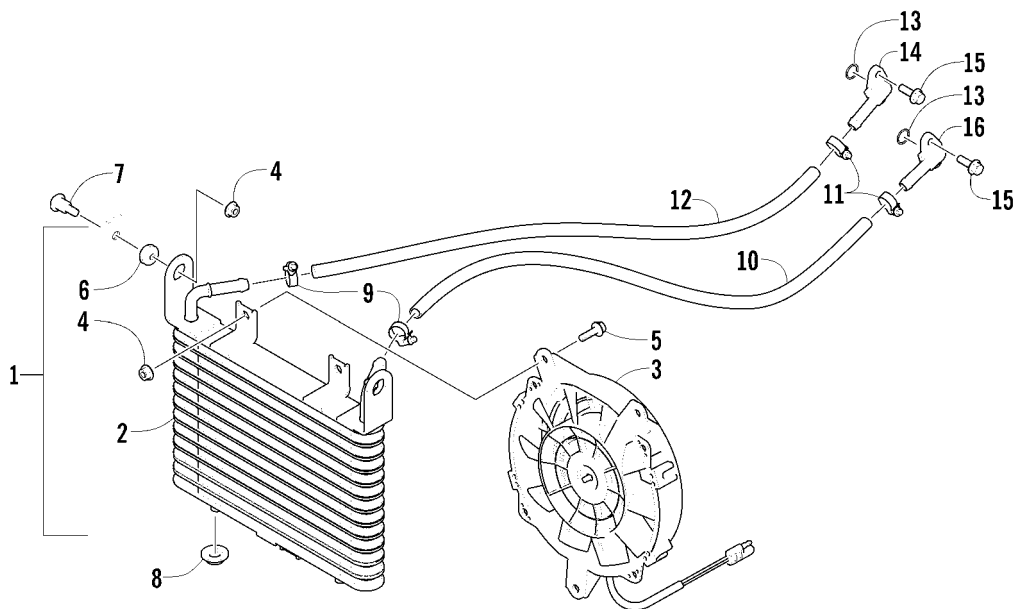
Ref	Part No.	New Qty	Description	Ref	Part No.	New Qty	Description
1	3313-395	1	Filter, Air - Assembly (inc. 2-13)	16	3313-816	1	Boot, Air Intake
2	8408-850	3	● Screw, Cap	17	3313-817	2	Clamp
3	0470-442	1	● Valve, Drain	18	3313-275	1	Boot, Air Intake
4	3313-705	1	● Clamp	19	3313-063	1	Boot, Air Intake
5	3313-375	3	● Latch	20	3313-274	1	Boot, Air Intake
6	3313-376	1	● Cover, Air Filter	21	3313-397	1	Hose, Oil Catch (inc. 22)
7	3313-853	3	● Spacer	22	3304-167	2	● Clamp, Hose
8	3313-378	1	● Element, Air Filter	23	3313-224	1	Housing, Air Intake
9	3313-446	1	● Gasket, Air Filter	24	3313-356	1	Bracket, Mounting - Air Intake Housing
10	3313-377	1	● Housing, Air Filter	25	3304-409	2	Screw, Self-Tapping
11	0402-678	3	● Spring	26	3313-362	1	Foil, Protective
12	8050-222	3	● Washer	27	3313-706	1	Clamp
13	3303-269	3	● Nut, Lock	28	3313-543	1	Pipe, Drain
14	3305-448	2	Clip, Retaining	29	3313-551	1	Boot, Air Intake
15	0423-380	5	Clamp				



ENGINE AND EXHAUST

0745-304

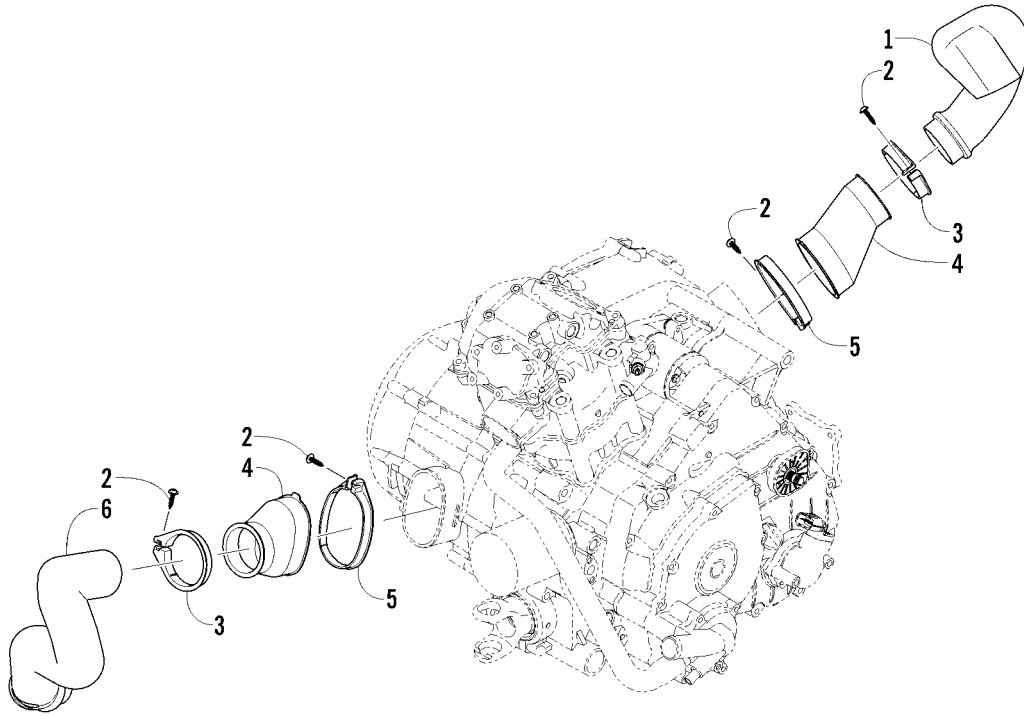
Ref	Part No.	New Qty	Description	Ref	Part No.	New Qty	Description
1	3313-862	1	Engine (inc. 2-3)	13	0423-317	2	● Clamp
2	0801-092	3	● Mount, Rubber - Engine	14	3304-565	2	Screw, Cap
3	0801-144	1	● Mount, Rubber - Engine	15	0412-007	1	Gasket, Exhaust Pipe
4	3323-174	2	Screw, Cap	16	0612-668	2	Spring, Extension
5	3304-031	2	Nut, Lock	17	0612-188	1	Seal, Exhaust
6	0411-426	1	Decal, Warning - Clutch Cover	18	3313-709	1	Muffler - Assembly (inc. 19-21)
7	3313-432	1	Switch, Temperature - Fan	19	3323-116	1	● Gasket, Spark Arrester
8	0830-180	2	O-Ring	20	3313-047	1	● Arrester, Spark - Assembly
9	3313-431	1	Switch, Temperature - Light	21	3305-344	2	● Screw, Cap
10	3313-692	1	Pipe, Exhaust - Assembly (inc. 11-13)	22	3313-264	3	Bushing
11	3313-693	1	● Pipe, Exhaust	23	3313-026	1	Cover, Muffler
12	3313-025	1	● Shield, Exhaust	24	3313-711	3	Screw, Machine



OIL COOLER ASSEMBLY

0745-294

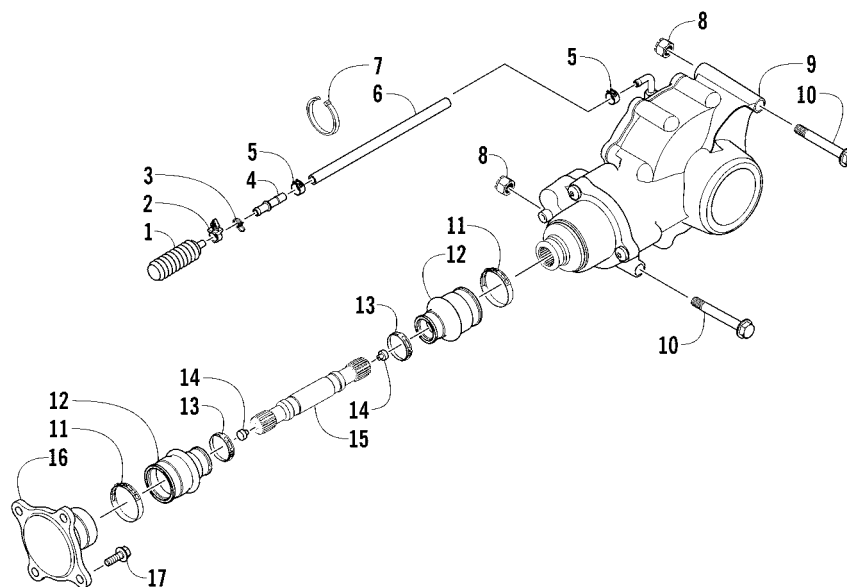
Ref	Part No.	New Qty	Description	Ref	Part No.	New Qty	Description
1	3323-202	1	Cooler, Oil - Assembly (inc. 2-3, three No. 4, and 5-6)	9	0423-098	2	Clamp, Hose
2	3323-203	1	● Cooler, Oil	10	0410-044	1	Hose, Oil
3	3323-204	1	● Fan, Cooling	11	3313-772	2	Clamp, Hose
4	3304-654	5	● Nut, Lock	12	3313-771	1	Hose, Oil
5	3304-587	3	● Screw, Cap	13	0830-172	2	O-Ring
6	0423-030	2	● Grommet	14	0812-060	1	Fitting, Oil
7	3313-166	2	Screw, Shoulder	15	3303-617	4	Screw, Cap
8	0423-028	2	Bushing, Stem	16	0812-059	1	Fitting, Oil



CASE/BELT COOLING ASSEMBLY

0745-769

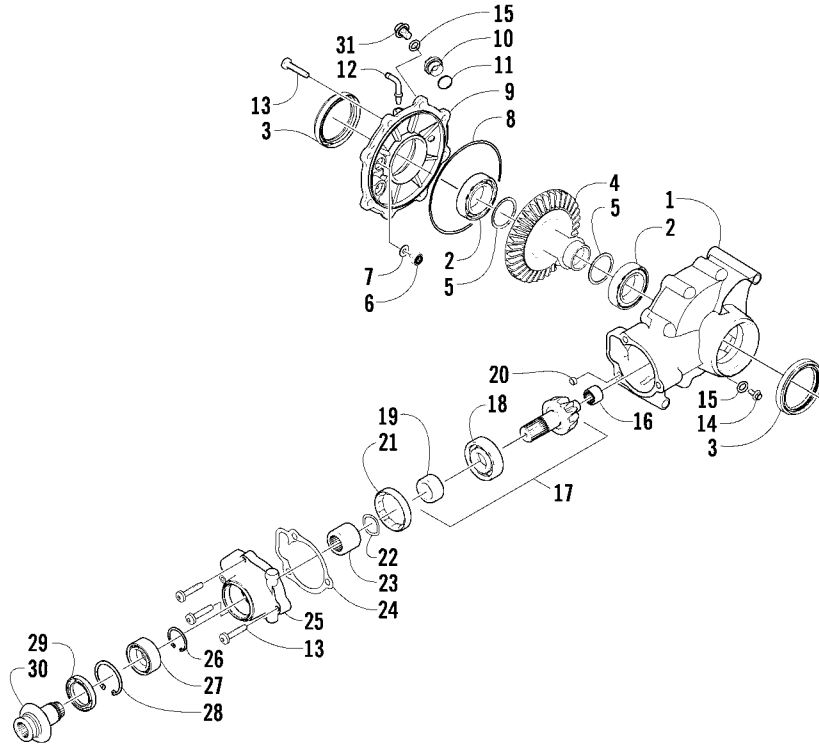
Ref	Part No.	New Qty	Description	Ref	Part No.	New Qty	Description
1	3313-064	1	Duct, Belt - Air Out	4	3313-782	2	Boot, Duct
2	0423-342	4	Screw, Self-Tapping	5	0423-550	2	Clamp
3	0423-551	2	Clamp	6	3313-065	1	Duct, Belt - Air In



DRIVE TRAIN ASSEMBLY

0746-069

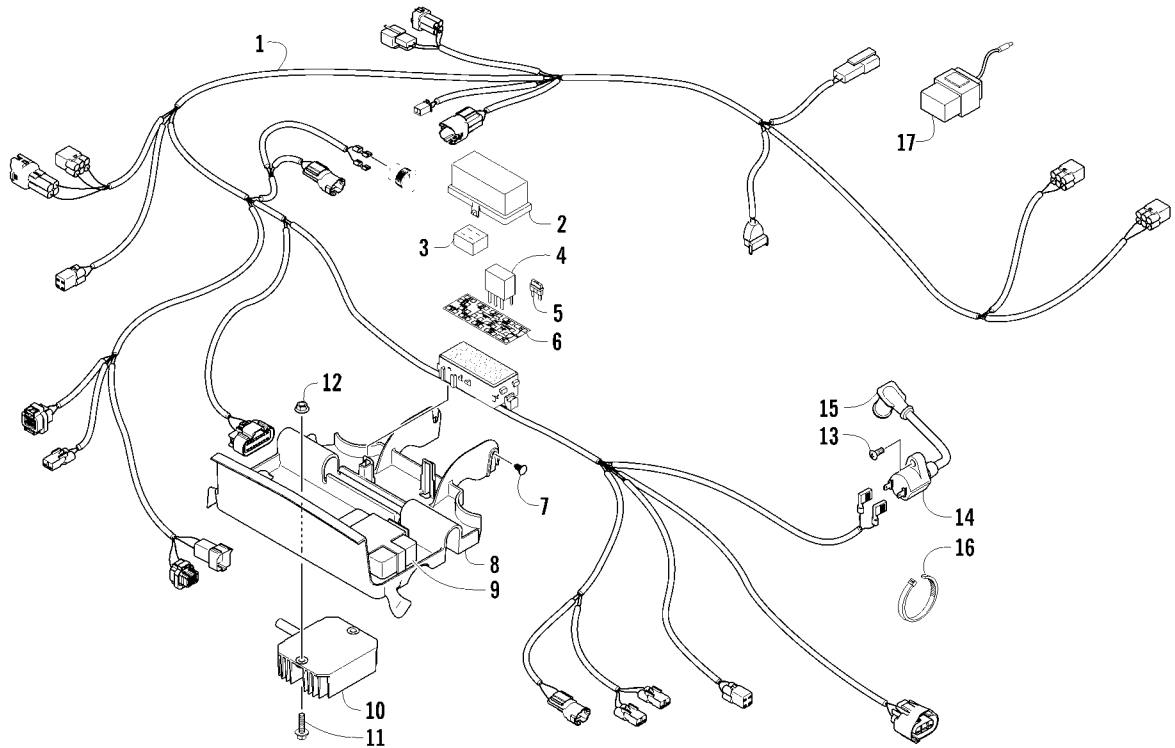
Ref	Part No.	New Qty	Description	Ref	Part No.	New Qty	Description
1	3313-796	1	Bladder, Gearcase	10	3305-787	2	Screw, Cap
2	3323-152	1	Clip, Routing	11	3313-776	2	Clamp
3	3303-349	1	Clamp, Hose	12	0402-985	2	Boot
4	3323-150	1	Fitting, Vent	13	3313-777	2	Clamp
5	3313-684	2	Clamp, Hose	14	3313-783	2	Bumper, Propeller Shaft
6	0410-070	AR	Hose, Vent	15	3313-773	1	Shaft, Propeller
7	0123-788	AR	Tie, Cable - 8 in.	16	3313-774	1	Flange, Output
8	3304-031	2	Nut, Lock	17	3304-565	4	Screw, Cap
9	3306-023	1	Gearcase, Rear				



REAR DRIVE GEARCASE ASSEMBLY

0741-524

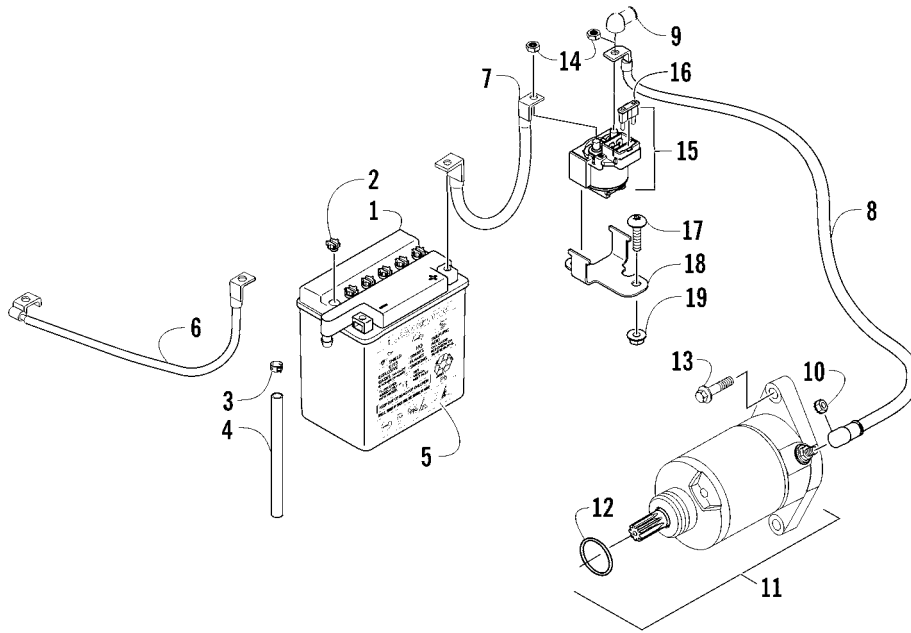
Ref	Part No.	New	Qty	Description	Ref	Part No.	New	Qty	Description
-	3306-023		1	Complete Rear Drive Gearcase Assembly	9	3306-033		1	Cover, Gearcase
1	3306-024		1	Housing, Gearcase	10	3306-035		1	Plug, Fill (inc. 11)
2	3306-801	X	2	Bearing	11	0423-154		1	● O-Ring
3	3306-025		2	Seal	12	3306-034		1	Fitting, Elbow
4	3306-029		1	Gear, Ring - 34T	13	3303-615		11	Screw, Self-Tapping
5	3306-132	AR		Shim, 41 x 49 x 1.0 mm	14	3306-027		1	Plug, Magnetic (inc. one No. 15)
	3306-133	AR		Shim, 41 x 49 x 1.1 mm	15	0423-153		2	● O-Ring
	3306-134	AR		Shim, 41 x 49 x 1.2 mm	16	3306-038		1	Bearing
	3306-135	AR		Shim, 41 x 49 x 1.3 mm	17	3306-039		1	Gear, Pinion - Assembly - 11T (inc. 18-19)
	3306-136	AR		Shim, 41 x 49 x 1.4 mm	18	3306-040		1	● Bearing
	3306-137	AR		Shim, 41 x 49 x 1.5 mm	19	0402-336		1	● Collar, Retaining
	3306-138	AR		Shim, 41 x 49 x 1.6 mm	20	3306-048		1	Pin, Dowel
	3306-139	AR		Shim, 41 x 49 x 1.7 mm	21	3306-042		1	Collar, Lock
6	3306-031		1	Button, Thrust	22	3306-043		1	Washer, Wave
7	3306-124	AR		Shim, 6.3 x 18 x 1.0 mm	23	3306-044		1	Collar, Shaft
	3306-125	AR		Shim, 6.3 x 18 x 1.1 mm	24	3323-234		1	Gasket, Flange
	3306-126	AR		Shim, 6.3 x 18 x 1.2 mm	25	3306-049		1	Housing, Pinion
	3306-127	AR		Shim, 6.3 x 18 x 1.3 mm	26	3306-045		1	Ring, Retaining
	3306-128	AR		Shim, 6.3 x 18 x 1.4 mm	27	3323-240		1	Bearing
	3306-129	AR		Shim, 6.3 x 18 x 1.5 mm	28	3306-046		1	Ring, Retaining
	3306-130	AR		Shim, 6.3 x 18 x 1.6 mm	29	3323-239		1	Seal
	3306-131	AR		Shim, 6.3 x 18 x 1.7 mm	30	3306-047		1	Shaft, Input
8	3306-030		1	O-Ring	31	3306-036		1	Plug, Oil Level (inc. one No. 15)



WIRING HARNESS ASSEMBLY

0746-070

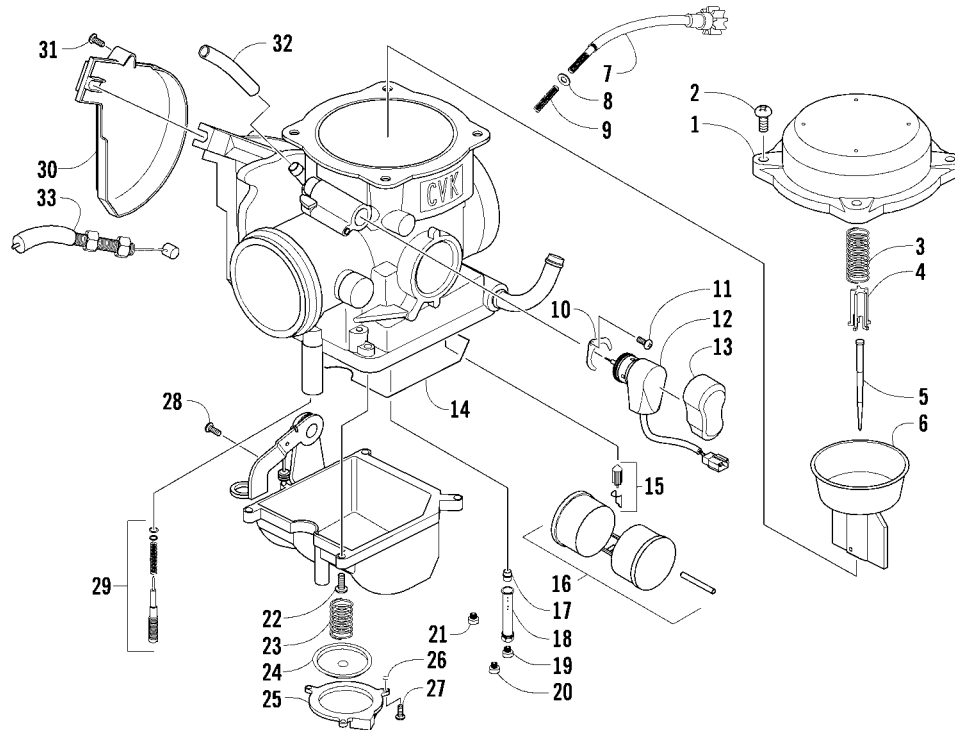
Ref	Part No.	New Qty	Description	Ref	Part No.	New Qty	Description
1	3306-423	1	Harness, Main (inc. 2-6)	9	3313-659	1	CDI Unit
2	0530-008	1	● Cover, Fuse Block	10	3306-413	1	Regulator, Voltage
3	0430-037	1	● Holder, Fuse	11	3305-344	2	Screw, Cap
4	0430-033	3	● Relay (5-Pin) - 30 Amp	12	3304-654	2	Nut, Lock
5	0430-032	4	● Fuse - 10 Amp	13	3303-252	1	Screw, Machine
	0430-031	4	● Fuse - 15 Amp	14	3323-216	1	Coil, Ignition - Assembly (inc. 15)
	3304-212	2	● Fuse - 30 Amp	15	3313-695	1	● Cap, Spark Plug
6	2411-565	1	● Decal, Fuse Block	16	3303-289	AR	Tie, Cable
7	0423-345	2	Clip, Retaining	17	3304-778	1	Control, Hazard
8	3313-273	1	Tray, Electrical				



BATTERY AND STARTER ASSEMBLY

0745-853

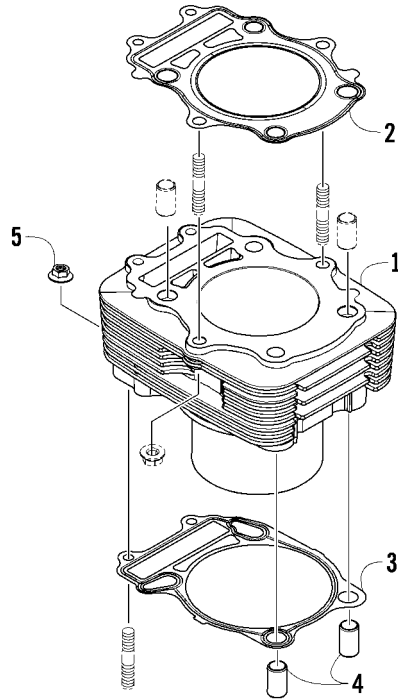
Ref	Part No.	New Qty	Description	Ref	Part No.	New Qty	Description
1	0745-045	1	Battery Assembly (inc. 2-5)	10	3304-011	1	Nut w/Washer
2	0645-045	6	● Cap	11	3305-954	1	Motor, Starter - Assembly (inc. 12)
3	0645-152	1	● Clamp, Hose	12	3304-104	1	● O-Ring
4	0645-263	1	● Hose, Vent	13	3305-946	2	Screw, Cap
5	0645-151	1	● Decal, Warning	14	3304-654	2	Nut, Lock
6	3313-525	1	Cable, Battery/Ground	15	3313-464	1	Solenoid (inc. 16)
7	3313-526	1	Cable, Battery/Solenoid	16	3304-212	1	● Fuse - 30 Amp
8	3313-527	1	Cable, Solenoid/Starter (inc. 9)	17	3305-703	2	Screw, Machine
9	-	1	● Boot, Terminal - Part Number not Available	18	3313-467	1	Bracket, Mounting - Solenoid
				19	3304-431	2	Nut



CARBURETOR

0744-227

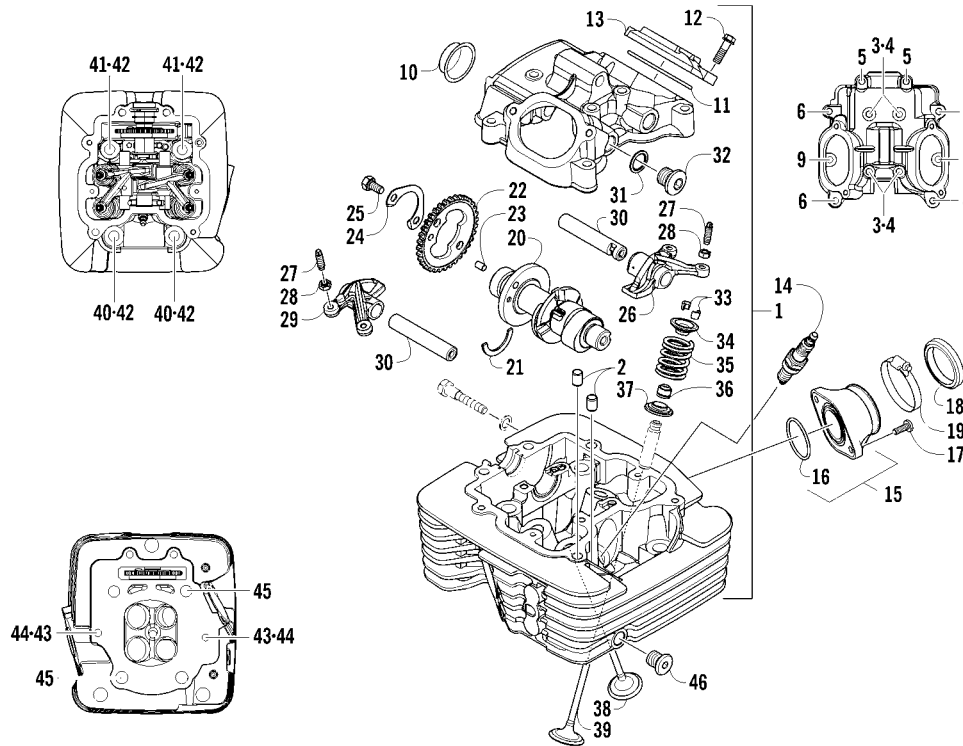
Ref	Part No.	New Qty	Description	Ref	Part No.	New Qty	Description
-	0470-856	1	Complete Carburetor Assembly	20	5507-097	1	Starter Jet - 75
1	5507-001	1	Cover, Top	21	5507-010	1	Slow Jet
2	5507-002	4	Screw, Machine	22	5507-017	4	Screw, Machine
3	5507-066	1	Spring	23	5507-032	1	Spring
4	5507-005	1	Seat, Spring	24	5507-197	1	Diaphragm Assembly
5	5507-110	1	Jet Needle	25	5507-198	1	Housing, Pump
6	5507-109	1	Piston, Vacuum	26	5507-034	1	U-Ring
7	5507-027	1	Screw, Idle Adjust	27	5507-035	3	Screw, Machine
8	5507-028	1	Washer	28	5507-050	1	Screw, Drain
9	5507-029	1	Spring	29	5507-111	1	Screw, Pilot - Set
10	5507-115	1	Plate	30	5507-036	1	Cover
11	5507-117	1	Screw, Machine	31	5507-037	1	Screw, Machine
12	5507-180	1	Choke, Electric	32	3313-476	1	Hose, Vent
13	5507-114	1	Cover, Electric Choke	33	3323-227	1	Cable, Throttle
14	5507-067	1	O-Ring, Float Chamber				
15	5507-107	1	Valve, Float - Set				
16	5507-039	1	Float Set				
17	5507-007	1	Needle Jet				
18	5507-047	1	Holder, Needle Jet				
19	5507-125	1	Main Jet - 120				
	5507-242	1	Main Jet - 108 - Optional				
	5507-166	1	Main Jet - 110 - Optional				
	3305-434	1	Main Jet - 112 - Optional				
	5507-126	1	Main Jet - 115 - Optional				
	5507-241	1	Main Jet - 118 - Optional				



CYLINDER ASSEMBLY

0744-250

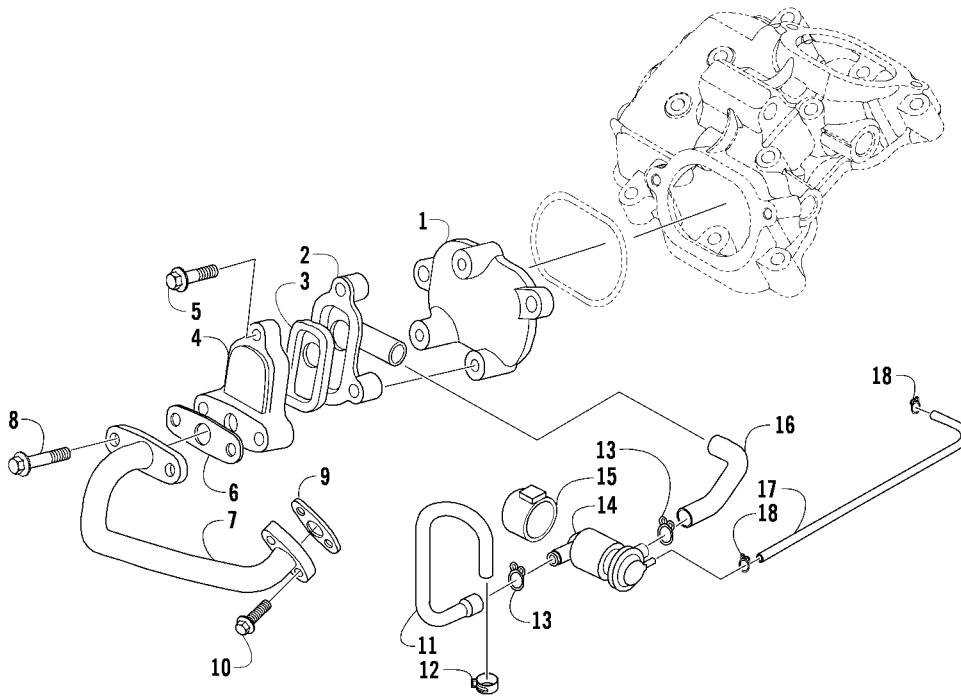
Ref	Part No.	New Qty	Description	Ref	Part No.	New Qty	Description
1	0804-042	1	Cylinder	4	0829-046	2	Pin, Dowel
2	0830-050	1	Gasket, Cylinder Head	5	3304-654	2	Nut, Lock
3	0830-053	1	Gasket, Cylinder				



CYLINDER HEAD AND CAMSHAFT/VALVE ASSEMBLY

0745-306

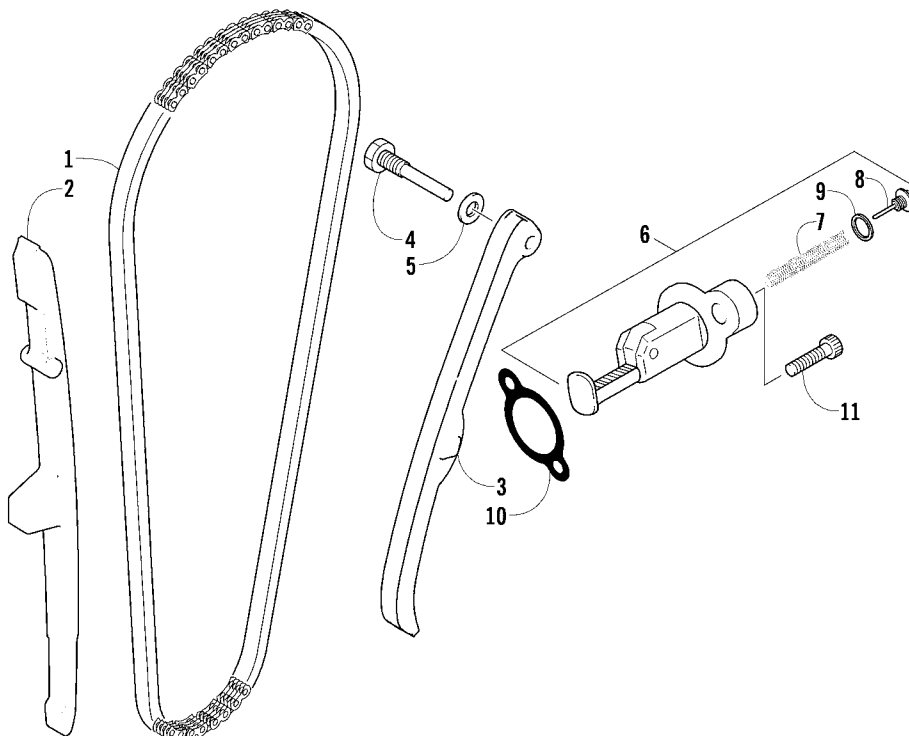
Ref	Part No.	New Qty	Description	Ref	Part No.	New Qty	Description
1	0808-185	1	Head, Cylinder	24	0828-086	1	Plate, Retainer
2	3303-341	2	Pin, Dowel	25	0826-154	2	Screw, Cap
3	0826-115	4	Screw, Cap	26	0809-145	1	Arm, Valve Rocker - Intake
4	0830-155	4	Gasket	27	3304-007	4	Screw, Adjuster
5	3304-918	2	Screw, Cap	28	3304-026	4	Nut
6	3303-386	2	Screw, Cap	29	0809-149	1	Arm, Valve Rocker - Exhaust
7	3304-903	1	Screw, Cap	30	0809-151	2	Shaft, Rocker Arm
8	0826-136	1	Screw, Cap	31	0830-143	2	Gasket
9	3303-384	2	Screw, Cap	32	0831-053	2	Plug, Shaft
10	0808-112	1	Plug, Head	33	3303-044	8	Cotter, Valve
11	0830-139	2	O-Ring	34	0809-142	4	Retainer, Spring
12	3303-383	4	Screw, Cap	35	0809-140	4	Spring, Valve
13	0808-111	1	Cap, Inspection	36	0809-190	4	Seal, Oil
14	0217-705	1	Spark Plug - NGK CR8E	37	0809-141	4	Seat, Spring
15	3323-228	1	Manifold, Intake (inc. 16)	38	0809-188	2	Valve, Intake
16	3323-145	1	● O-Ring	39	0809-189	2	Valve, Exhaust
17	3304-189	2	Screw, Machine	40	0826-062	2	Screw, Cap
18	3306-151	1	Insert, Intake Manifold	41	0826-061	2	Screw, Cap
19	0423-380	1	Clamp	42	0828-044	4	Washer
20	0809-287	1	Camshaft	43	0827-019	2	Bolt, Stud
21	0809-165	1	C-Ring	44	3303-332	2	Nut
22	0809-166	1	Sprocket	45	0829-013	2	Pin, Dowel
23	0829-036	1	Pin, Alignment	46	3303-656	1	Plug, Oil Gallery



REED VALVE ASSEMBLY

0744-590

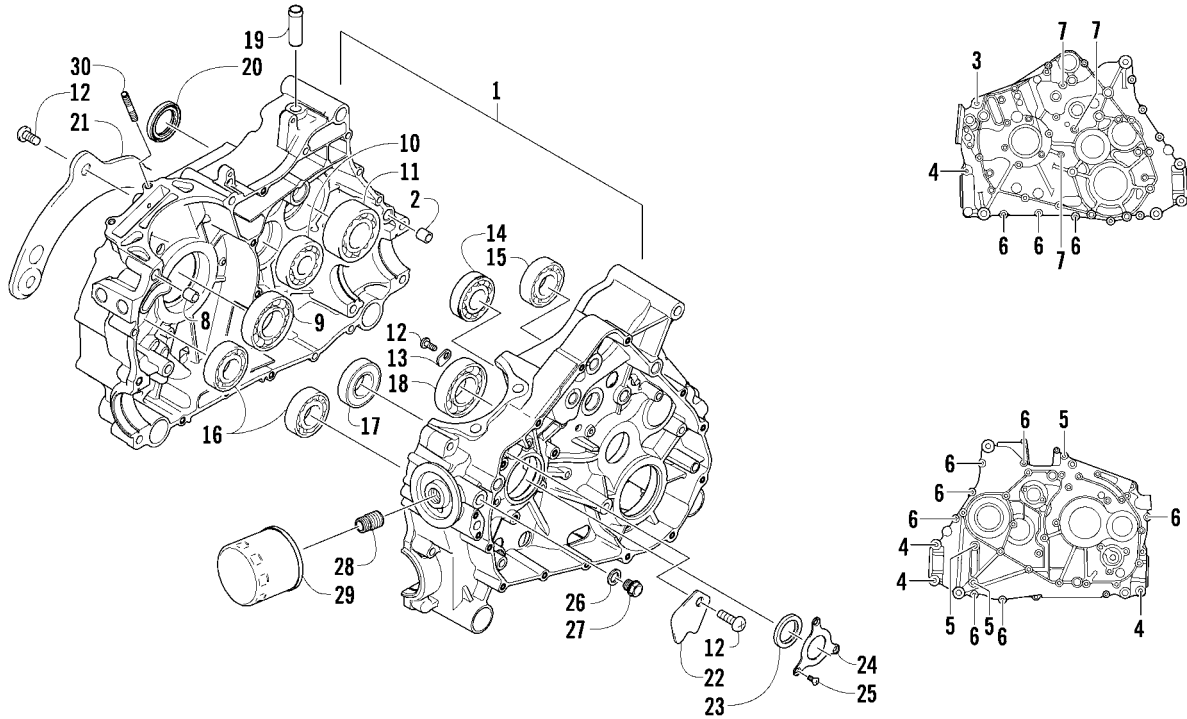
Ref	Part No.	New Qty	Description	Ref	Part No.	New Qty	Description
1	0808-186	1	Cap, Inspection - Reed Valve	10	3303-617	2	Screw, Cap
2	0808-187	1	Cover, Reed Valve	11	3313-737	1	Duct, Air
3	3305-587	1	Valve, Reed	12	3304-167	1	Clamp
4	0808-188	1	Body, Reed Valve	13	3303-712	2	Clamp
5	3303-362	1	Screw, Cap	14	3313-734	1	Vacuum, Air - Assembly
6	0830-190	1	Gasket	15	3305-355	1	Mount, Air Vacuum
7	3313-595	1	Pipe, Air	16	3313-736	1	Duct, Air
8	3303-363	2	Screw, Cap	17	3313-735	1	Hose Assembly (inc. 18)
9	3303-732	1	Gasket	18	3304-161	2	● Clamp, Hose



CAM CHAIN ASSEMBLY

0743-029

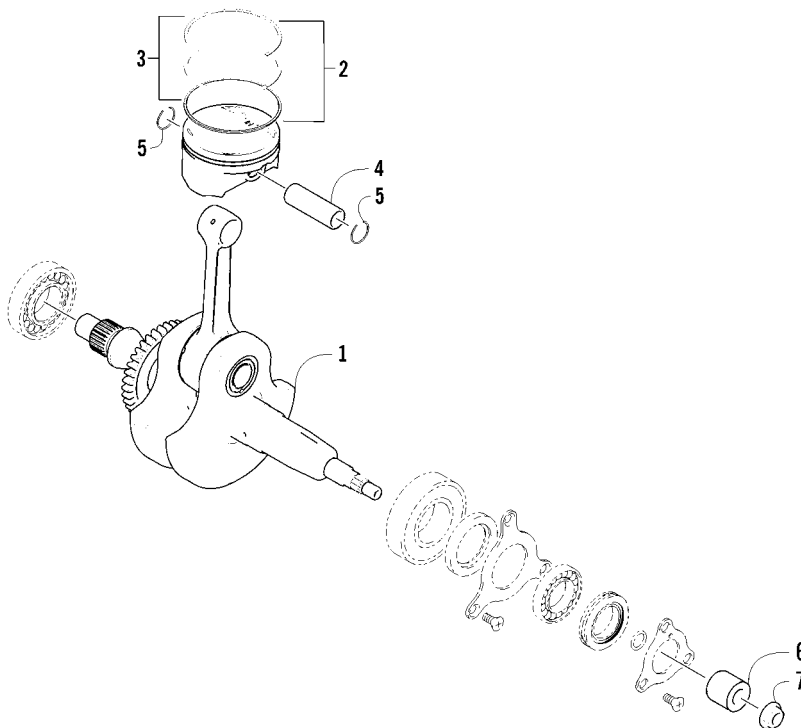
Ref	Part No.	New Qty	Description	Ref	Part No.	New Qty	Description
1	0810-005	1	Chain, Cam	7	0810-056	1	● Spring
2	0810-006	1	Guide, Chain	8	0810-061	1	● Plug
3	0810-007	1	Tensioner, Chain	9	0810-062	1	● Washer
4	0826-133	1	Pivot, Tensioner	10	0830-060	1	Gasket
5	0830-150	1	Washer	11	3303-360	2	Screw, Cap
6	0810-054	1	Adjuster, Tensioner - Assembly (inc. 7-9)				



CRANKCASE ASSEMBLY

0744-254

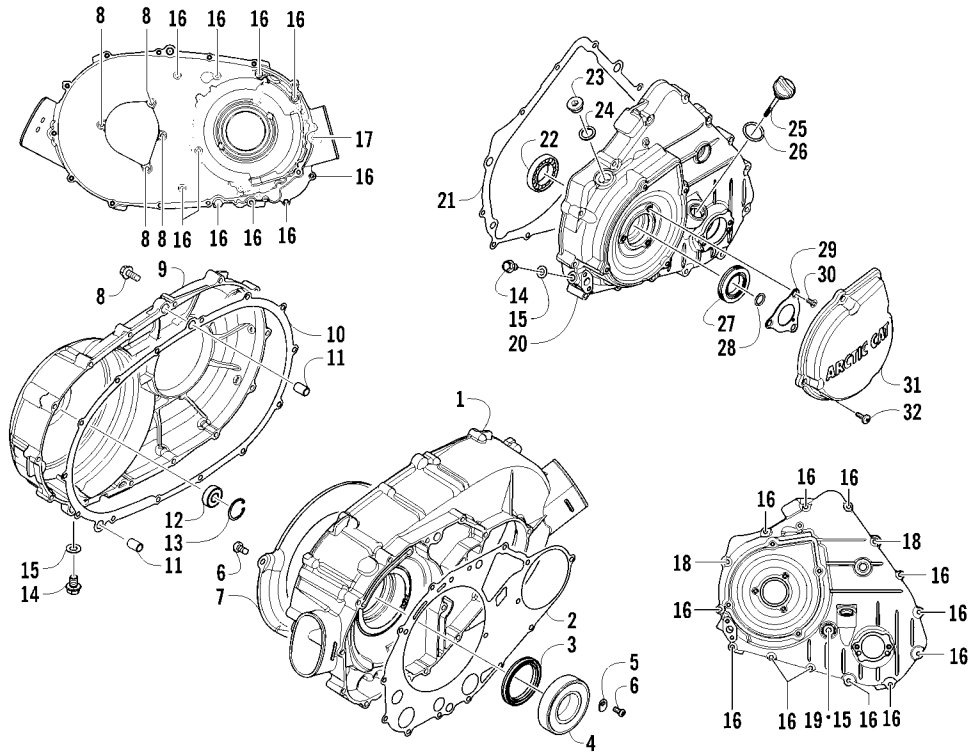
Ref	Part No.	New Qty	Description	Ref	Part No.	New Qty	Description
1	0801-021	1	Crankcase - Assembly (inc. 2-4)	16	0832-022	2	Bearing
2	0829-050	2	● Pin, Dowel	17	0832-020	1	Bearing
3	3303-372	1	● Screw, Cap	18	0832-019	1	Bearing
4	0826-126	4	● Screw, Cap	19	0801-027	1	Tube, Vent - Crankcase
5	0826-064	3	Screw, Cap	20	0830-066	1	Seal
6	3303-387	10	Screw, Cap	21	0801-018	1	Plate, Oil Guide - Right
7	0826-065	3	Screw, Cap	22	0801-019	1	Plate, Oil Guide - Left
8	0829-046	2	Pin, Dowel	23	0830-058	1	Seal
9	0832-087	1	Bearing	24	0805-018	1	Retainer
10	3304-198	1	Bearing	25	0826-145	3	Screw, Machine
11	0832-074	1	Bearing	26	0830-143	1	Gasket
12	0826-144	6	Screw, Machine	27	0835-004	1	Plug, Oil Pressure
13	0822-104	2	Retainer, Bearing	28	0812-066	1	Union, Oil Filter
14	3304-195	1	Bearing	29	0812-029	1	Filter, Oil
15	3304-699	1	Bearing	30	3313-721	2	Bolt, Stud



CRANKSHAFT AND PISTON ASSEMBLY

0745-882

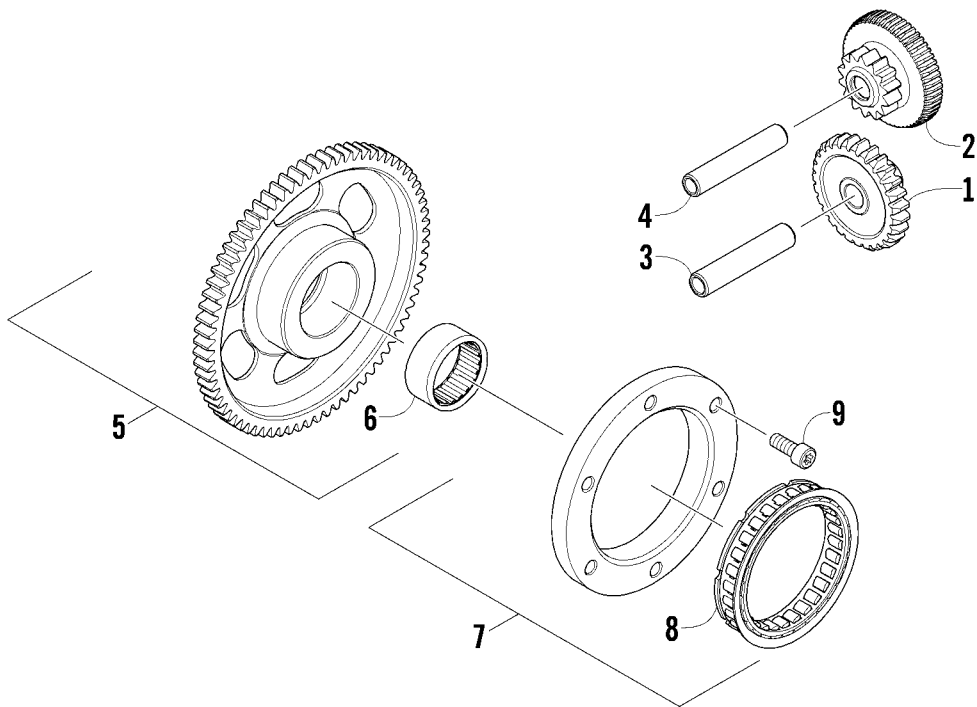
Ref	Part No.	New Qty	Description	Ref	Part No.	New Qty	Description
1	0805-013	1	Crankshaft Assembly	5	0831-060	2	● Circlip
2	0805-169	1	Piston Set (inc. 3-5)	6	0820-064	1	Bushing
3	0805-170	1	● Ring, Piston - Set	7	3303-333	1	Nut
4	0805-023	1	● Pin, Piston				



CLUTCH/V-BELT/MAGNETO COVER ASSEMBLY

0745-883

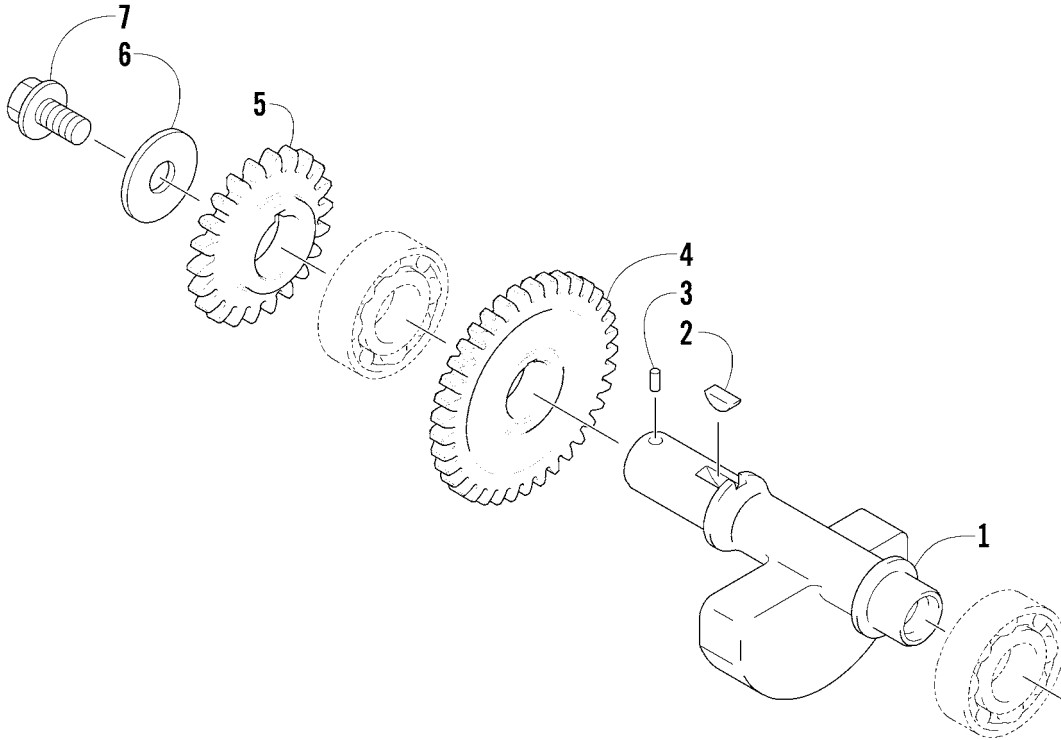
Ref	Part No.	New Qty	Description	Ref	Part No.	New Qty	Description
1	0806-026	1	Cover, Clutch	17	0826-066	1	Screw, Cap
2	0830-055	1	Gasket	18	3304-191	2	Screw, Cap
3	0830-157	1	Seal, Clutch Housing	19	0826-068	1	Screw, Cap
4	0832-071	1	Bearing	20	0806-028	1	Cover, Magneto
5	0822-104	2	Retainer, Bearing	21	0830-057	1	Gasket, Magneto Cover
6	0826-144	5	Screw, Machine	22	0832-053	1	Bearing
7	0806-103	1	Plate, Air Intake	23	0806-099	1	Plug
8	3303-386	18	Screw, Cap	24	0830-141	1	Washer, Crush
9	0806-027	1	Cover, V-Belt	25	0806-029	1	Stick, Oil Level (inc. 26)
10	0830-056	1	Gasket, V-Belt Cover	26	3304-102	1	● O-Ring, Oil Level Stick
11	0829-046	6	Pin, Dowel	27	0837-015	1	Seal
12	0832-023	1	Bearing	28	0830-153	1	O-Ring
13	3303-347	1	Circlip	29	0805-178	1	Retainer, Oil Seal
14	3303-365	2	Plug, Drain	30	0826-145	3	Screw, Machine
15	3303-591	3	Gasket, Drain Plug	31	0820-066	1	Cover, Magneto - Outer
16	3304-903	22	Screw, Cap	32	3303-617	4	Screw, Machine



STARTER CLUTCH ASSEMBLY

0744-283

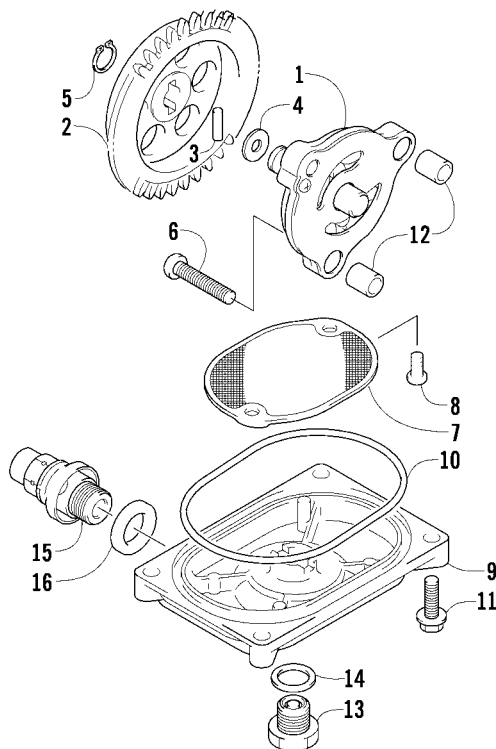
Ref	Part No.	New Qty	Description	Ref	Part No.	New Qty	Description
1	0815-022	1	Gear, Starter Idler - No. 2	6	0832-069	1	● Bearing
2	0815-031	1	Gear, Starter Idler - No. 1	7	0802-044	1	Clutch, One-Way (inc. 8)
3	0815-015	1	Pin, Starter Idler Gear No. 2	8	-	1	● Bearing - Not a Service Part
4	0815-007	1	Pin, Starter Idler Gear No. 1	9	0826-120	6	Screw, Cap
5	0815-023	1	Gear, Starter Clutch (inc. 6)				



CRANK BALANCER ASSEMBLY

0743-027

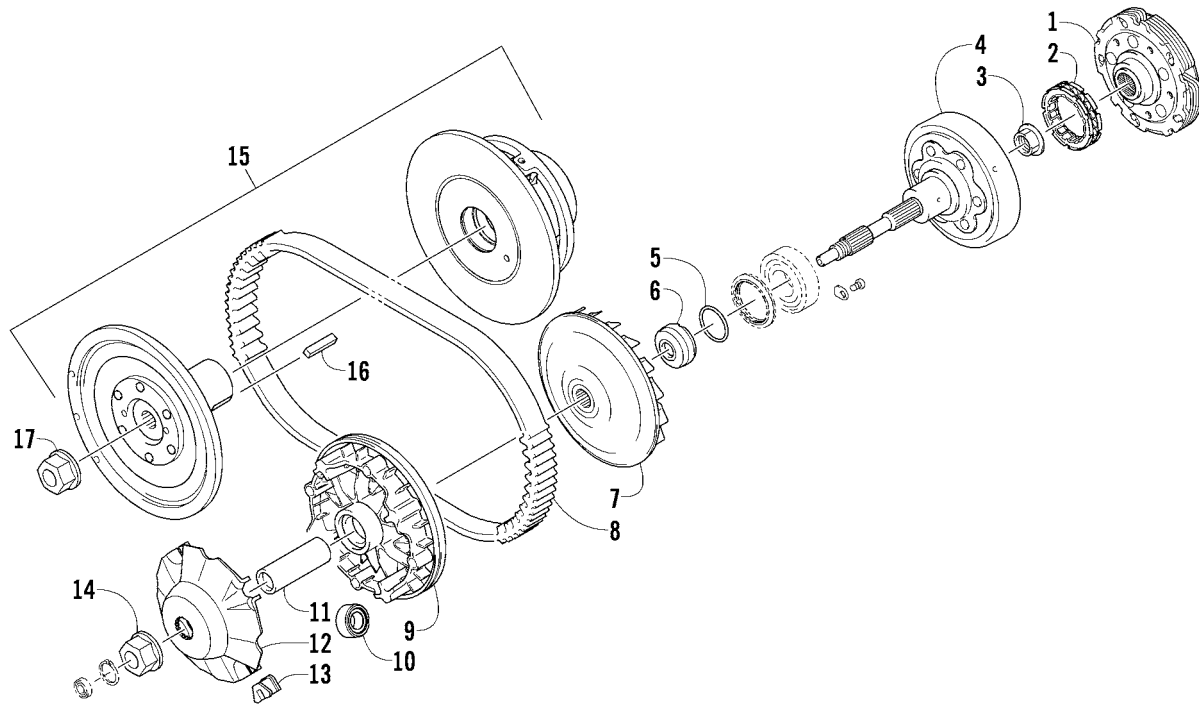
Ref	Part No.	New Qty	Description	Ref	Part No.	New Qty	Description
Items	10811-005	1	Balancer, Crank	5	0811-009	1	Gear, Oil Pump Drive
2	0829-037	1	Key	6	0828-091	1	Washer
3	3304-144	1	Pin, Alignment	7	0826-118	1	Screw, Cap
4	0811-006	1	Gear, Driven				



OIL PUMP AND STRAINER ASSEMBLY

0743-030

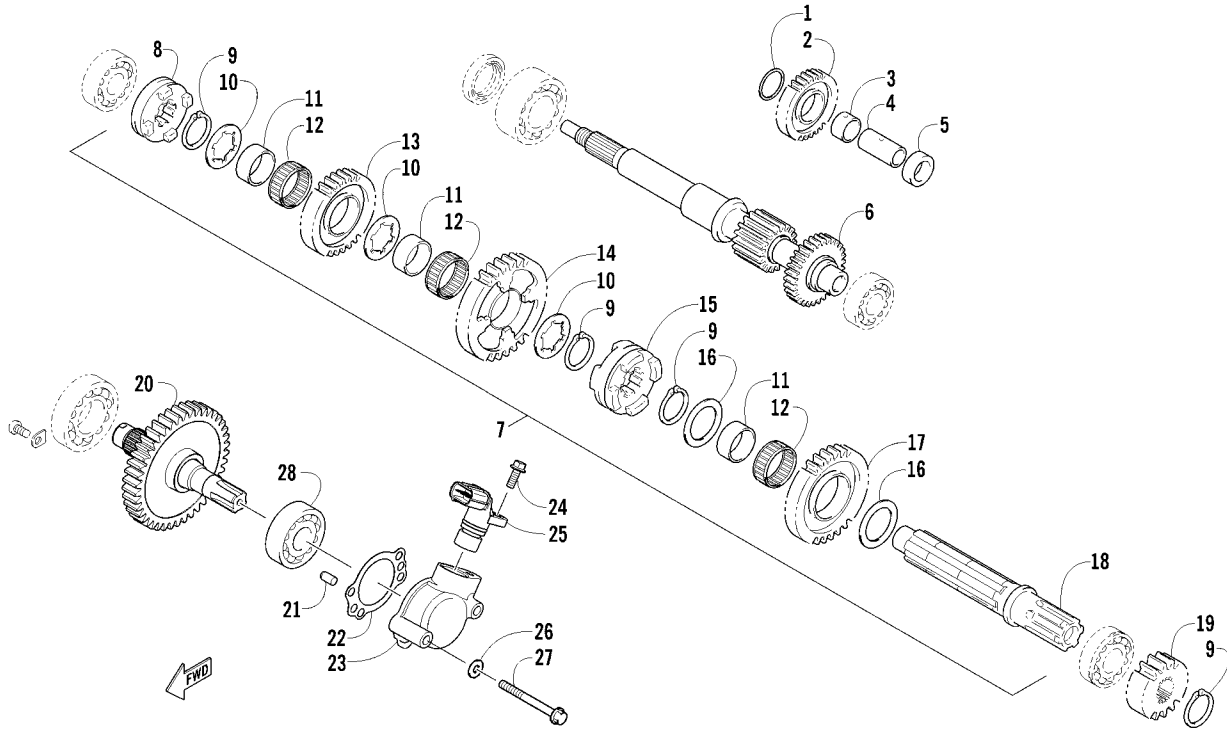
Ref	Part No.	New Qty	Description	Ref	Part No.	New Qty	Description
1	0812-069	1	Pump, Oil	9	0812-038	1	Cap, Oil Strainer
2	0812-010	1	Gear, Driven	10	0830-159	1	O-Ring
3	0812-036	1	Pin, Dowel	11	3303-384	4	Screw, Cap
4	0828-007	1	Washer	12	0829-033	2	Pin, Dowel
5	3304-146	1	Ring, Retaining	13	0812-065	1	Plug, Drain
6	0826-131	3	Screw, Machine	14	0830-143	1	Gasket
7	0812-049	1	Strainer, Oil	15	0812-067	1	Valve, Oil-Relief - Assembly (inc. 16)
8	3313-722	2	Screw, Cap	16	0830-181	1	● O-Ring



TRANSMISSION ASSEMBLY

0744-267

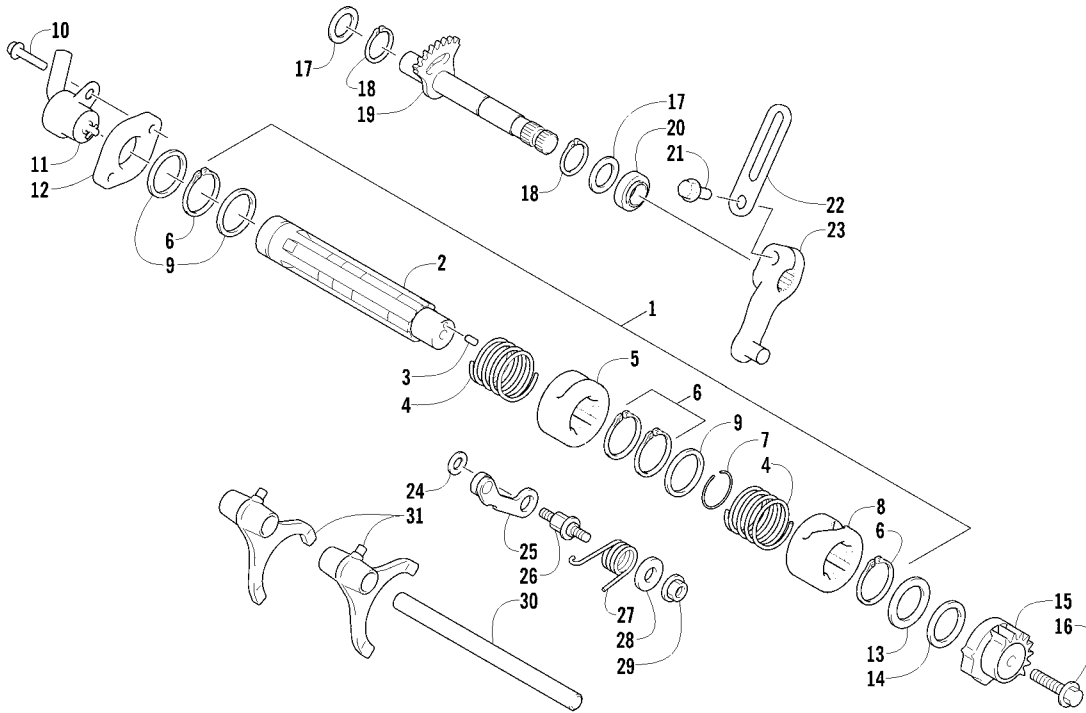
Ref	Part No.	New Qty	Description	Ref	Part No.	New Qty	Description
1	0823-328	1	Shoe, Clutch - Assembly	10	0823-210	8	Roller, Movable Drive Face
2	0823-198	1	Clutch, One-Way	11	0823-206	1	Spacer, Movable Drive Face
3	0827-050	1	Nut	12	0823-213	1	Plate, Movable Drive Face
4	0823-338	1	Housing, Clutch	13	0823-214	4	Damper, Movable Drive Face
5	0470-531	1	O-Ring	14	3323-165	1	Nut
6	0823-058	1	Spacer	15	0823-294	1	Clutch, Driven - Assembly (inc. 16)
7	0823-313	1	Face, Fixed Drive	16	0835-018	1	● Key
8	0823-228	1	Belt, Drive	17	0827-058	1	Nut
9	0823-324	1	Face, Movable Drive				



SECONDARY TRANSMISSION ASSEMBLY

0745-298

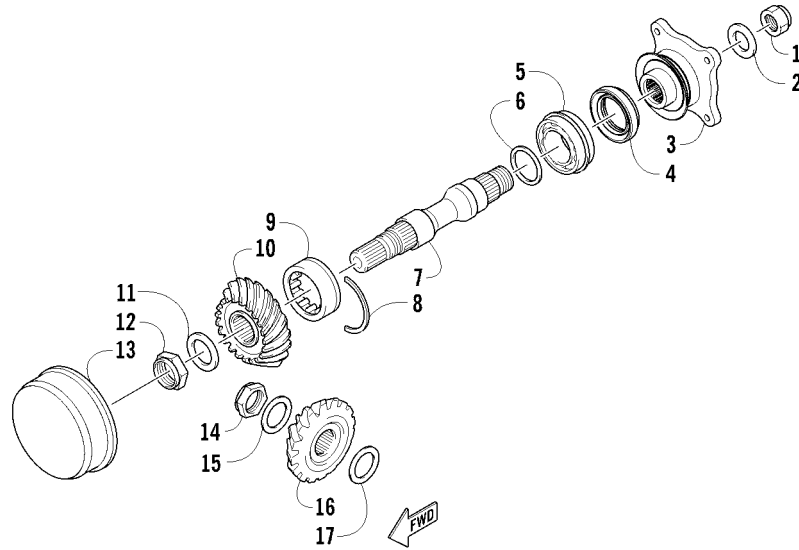
Ref	Part No.	New Qty	Description	Ref	Part No.	New Qty	Description
1	0828-081	1	Washer	15	0822-027	1	● Gear Select, Sliding
2	0822-061	1	Gear, Reverse Idle	16	3304-044	2	● Washer, Thrust
3	0822-065	1	Bushing	17	0822-026	1	● Gear, Driven - High
4	0822-064	1	Shaft, Reverse Idle	18	0822-025	1	● Countershaft
5	0822-029	1	Spacer	19	0822-028	1	Gear, Drive
6	0822-022	1	Driveshaft	20	0822-023	1	Shaft, Output
7	0822-036	1	Countershaft Assembly (inc. 8-18)	21	3303-395	2	Pin, Dowel
8	0822-033	1	● Gear Select, Reverse	22	0830-156	1	Gasket, Housing
9	3304-147	4	● Circlip	23	0822-105	1	Housing, Speedometer Sensor
10	3304-045	3	● Washer	24	3303-382	1	Screw, Cap
11	0822-062	3	● Bushing	25	3313-172	1	Sensor, Speedometer
12	0832-038	3	● Bearing	26	0830-155	2	Gasket
13	0822-032	1	● Gear, Reverse Driven	27	3303-387	2	Screw, Cap
14	0822-063	1	● Gear, Driven - Low	28	3304-198	1	Bearing



GEAR SHIFTING ASSEMBLY

0745-299

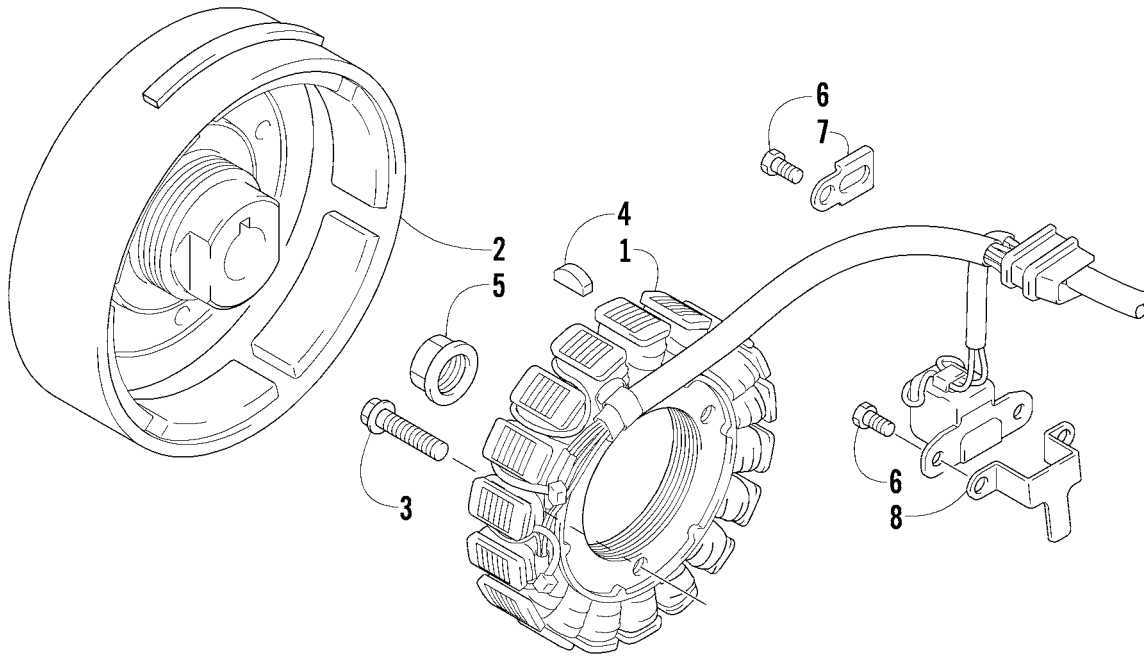
Ref	Part No.	New Qty	Description	Ref	Part No.	New Qty	Description
1	0818-126	1	Shaft, Gear Shift - Assembly (inc. 2-8 and two No. 9)	16	3304-569	1	Screw, Cap
2	0818-125	1	● Shaft, Gear Shift	17	0828-084	2	Washer
3	3304-439	1	● Pin, Dowel	18	0831-056	2	Ring, Retaining
4	0818-060	2	● Spring	19	0818-113	1	Shaft, Sub-Gear Shift (inc. 18)
5	0818-116	1	● Cam, Reverse	20	0830-179	1	Seal
6	3304-147	4	● Circlip	21	3304-551	1	Screw, Cap
7	0831-016	1	● C-Ring	22	1623-984	X 1	Clamp, Wire - Optional
8	0818-117	1	● Cam, Gear Shift	23	3306-316	1	Arm, Select
9	0828-079	3	● Washer	24	0828-083	1	Washer
10	3303-252	2	Screw, Cap	25	0818-084	1	Stopper, Cam
11	3306-395	1	Switch, Gear Shift Position	26	0818-062	1	Support, Cam Stopper
12	0818-073	1	Spacer, Speed Sensor	27	0818-020	1	Spring
13	0828-081	1	Washer, Thrust	28	0828-082	1	Washer
14	0828-080	1	Washer, Thrust	29	3304-654	1	Nut, Lock
15	0818-061	1	Plate, Gear Shift Cam	30	0818-021	1	Shaft, Shift Fork
				31	0818-088	2	Fork, Shift



SECONDARY DRIVE ASSEMBLY

0745-309

Ref	Part No.	New Qty	Description	Ref	Part No.	New Qty	Description
1	3306-428	1	Nut	10	0819-019	1	Gear, Secondary Driven
2	3306-226	1	Washer	11	0828-090	1	Washer
3	0819-022	1	Flange, Output Joint	12	0827-022	1	Nut
4	0830-144	1	Seal, Oil	13	0819-108	1	Plug
5	0832-041	1	Bearing	14	0827-047	1	Nut
6	3305-955	AR	Shim, 25 x 34 x 0.60mm	15	3304-042	1	Washer, Thrust
	3305-956	AR	Shim, 25 x 34 x 0.65mm	16	0819-018	1	Gear, Secondary Drive
	3305-957	AR	Shim, 25 x 34 x 0.70mm	17	3306-009	AR	Shim, 30 x 48 x 0.60 mm
	3305-958	AR	Shim, 25 x 34 x 0.75mm		3306-010	AR	Shim, 30 x 48 x 0.65 mm
	3305-959	AR	Shim, 25 x 34 x 0.80mm		3306-011	AR	Shim, 30 x 48 x 0.70 mm
	3305-960	AR	Shim, 25 x 34 x 0.85mm		3306-012	AR	Shim, 30 x 48 x 0.75 mm
	3305-961	AR	Shim, 25 x 34 x 0.90mm		3306-013	AR	Shim, 30 x 48 x 0.80 mm
	3305-962	AR	Shim, 25 x 34 x 0.95mm		3306-014	AR	Shim, 30 x 48 x 0.85 mm
	3305-963	AR	Shim, 25 x 34 x 1.00mm		3306-015	AR	Shim, 30 x 48 x 0.90 mm
	3305-964	AR	Shim, 25 x 34 x 1.05mm		3306-016	AR	Shim, 30 x 48 x 0.95 mm
	3305-965	AR	Shim, 25 x 34 x 1.10mm		3306-017	AR	Shim, 30 x 48 x 1.00 mm
	0828-088	AR	Shim, 25 x 34 x 1.15mm		3306-018	AR	Shim, 30 x 48 x 1.05 mm
	3305-966	AR	Shim, 25 x 34 x 1.20mm		3306-019	AR	Shim, 30 x 48 x 1.10 mm
	3305-967	AR	Shim, 25 x 34 x 1.25mm		3306-020	AR	Shim, 30 x 48 x 1.15 mm
7	0819-021	1	Shaft, Secondary Driven		3306-021	AR	Shim, 30 x 48 x 1.20 mm
8	0819-070	1	C-Ring		3306-022	AR	Shim, 30 x 48 x 1.25 mm
9	0832-040	1	Bearing				



MAGNETO ASSEMBLY

0743-035

Ref	Part No.	New Qty	Description	Ref	Part No.	New Qty	Description
1	3323-200	1	Stator Assembly	5	3306-705	1	Nut
2	3323-164	1	Rotor/Flywheel	6	3303-308	3	Screw, Cap
3	3305-945	3	Screw, Cap	7	0802-003	1	Clamp
4	0829-039	1	Key	8	0802-004	1	Clamp

